



Vaya Flood – simple and reliable

Vaya Flood MP Medium

With budgets under pressure, property owners and developers are looking, more than ever, for value for money when it comes to capital expenditures. Vaya Flood is an affordable and reliable LED solution that minimizes the initial investment, while providing exceptional flexibility to create eye-catching, dynamic and colourful lighting effects that can bring a property to life. The robust Vaya Flood offers a wide choice of mono colours with a simple on-off switch and changing colours with a standard DMX512 controller. It is also extremely easy to install and aim.

Benefits

- Affordable solution: low initial cost
- Optimised performance
- Philips-branded

Features

- Static white versions – 3000 or 4000 K
- Integrated tilting surface-mount base
- Aluminium body with IP66 glass cover
- Reliability guaranteed by Philips quality process



PHILIPS

Specifications

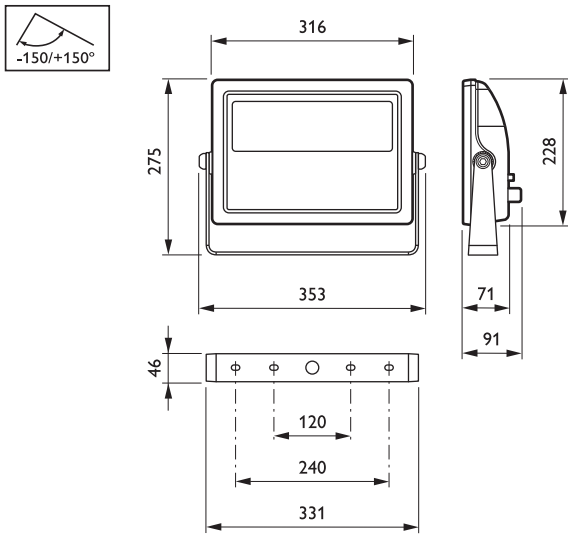
<ul style="list-style-type: none"> • Type • Light source • Power • Beam angle • Luminous flux • Luminaire efficacy • Correlated Colour Temperature • Colour Rendering Index • Maintenance of lumen output - L70F10 • Operating temperature range 	<p>BCP414 (medium power version, RGB lamp color) BCP415 (medium power version, white lamp color) BCP416 (medium power version, red, green, blue or amber lamp color)</p> <p>Integral LED-module</p> <p>70 W</p> <p>20 or 40° (standard product versions) 10 or 90° (options)</p> <p>3325 lm (white) 1844 lm (RGB)</p> <p>45 lm/W (white) 25 lm/W (RGB)</p> <p>RGB, Warm White 3000 K, Neutral White 4000 K (standard product versions) White 2700 or 5000 K, Red, Green, Blue, Amber (options)</p> <p>80</p> <p>50,000 hours at T_a= 25 °C (white)</p> <p>-20 to +40 °C</p>	<ul style="list-style-type: none"> • Driver • Mains voltage • Controls system input • Optic • Material • Colour • Connection • Installation <p>Built-in (self ballasted LED-module)</p> <p>100-240 V AC / 50-60 Hz</p> <p>DMX 512 control and RDM discovery and addressing for RGB versions</p> <p>Medium beam angle 20 or 40° (standard product versions) Narrow beam angle 10° or wide beam angle 90° (options)</p> <p>Housing: die-cast aluminum, powder-coated finish Optical cover: UV-stabilized polycarbonate</p> <p>Philips dark grey</p> <p>3-conductor wire for power, 1.5 m long and for RGB version, a 2-pair twisted wire for data 1.5 m long</p> <p>Integrated tilting, surface-mounting base allows easy installation on the ground, wall or ceiling Max adjustment from the horizontal: -90 to +90°</p>
--	---	--

Related products

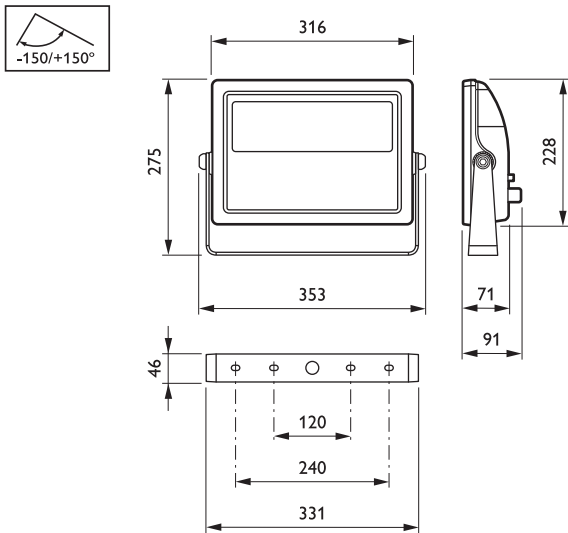


Vaya Flood BCP414/415/416 flood-lighting luminaire

Dimensional drawing



BCP415 30xLED-HB/3000 220-240 20 CE CQC



BCP415 30xLED-HB/3000 220-240 20 CE CQC

General information (1/2)

Order code	Product family code	Number of lamps	Lamp family code	Lamp colour code	Lamp colour temperature	Light source replaceable	Driver included	IK code	Optic	Optical cover	Dimmable
601050 99	BCP415	30	LED-HB	No	3000	false	true	IK05	20	FG	false
601067 99	BCP415	30	LED-HB	No	3000	false	true	IK05	40	FG	false
601081 99	BCP415	30	LED-HB	No	4000	false	true	IK05	20	FG	false
601098 99	BCP415	30	LED-HB	No	4000	false	true	IK05	40	FG	false

General information (2/2)

Order code	Product family code	European Community mark	ENEC mark	Underwriters Laboratory mark	Lifetime to 70% luminous flux
601050 99	BCP415	CE	ENEC	UL	50000 hr
601067 99	BCP415	CE	ENEC	UL	50000 hr
601081 99	BCP415	CE	ENEC	UL	50000 hr
601098 99	BCP415	CE	ENEC	UL	50000 hr

Light technical

Order code	Product family code	Colour Rendering Index	Luminous efficacy
601050 99	BCP415	80	45 Lm/W
601067 99	BCP415	80	45 Lm/W
601081 99	BCP415	80	45 Lm/W
601098 99	BCP415	80	45 Lm/W



© 2013 Koninklijke Philips Electronics N.V.
All rights reserved.

Specifications are subject to change without notice. Trademarks are the property of Koninklijke Philips Electronics N.V. or their respective owners.

www.philips.com/lighting

2013, April 30
data subject to change