

# PRODUCT DATASHEET

## LED FACADE EDGE 12 W 3000 K GY SENSOR

**LEDVANCE OUTDOOR LED FACADE EDGE | Slim LED luminaires with high light output and optional sensor**



---

### AREAS OF APPLICATION

- Outdoor
- Building facades
- Entrance lighting
- Gardens, balconies and other outdoor areas

---

### PRODUCT BENEFITS

- Energy-efficient thanks to LED technology
- 5 years guarantee
- Easy and quick installation
- Homogeneous light output

---

### PRODUCT FEATURES

- Very bright and functional outdoor LED luminaires
- Type of protection: IP54
- Die-cast aluminum housing
- Available with and without motion sensor
- Available in two housing colors: white and dark gray
- Diffuser made of opal polycarbonate with clear glass cover



**TECHNICAL DATA**

Electrical data

Nominal wattage	12.20 W
Nominal voltage	220...240 V
Nominal current	0.08 A
Power factor $\lambda$	>0.5
Mains frequency	50/60 Hz
Operating mode	Mains voltage

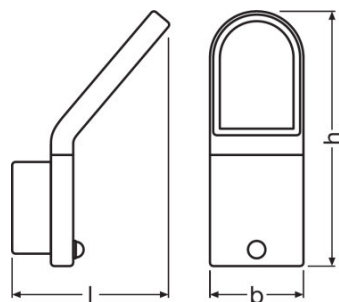
Photometrical data

Luminous efficacy	60 lm/W
Luminous flux	740 lm
Color temperature	3000 K
Light color (designation)	Warm White
Color rendering index Ra	$\geq 80$
Standard deviation of color matching	<6 sdc <sub>m</sub>

Light technical data

Beam angle	110 °
------------	-------

Dimensions & weight



Length	168.0 mm
Width	100.0 mm
Height	273.0 mm
Product weight	1300.00 g

Colors & materials

Housing color	Gray
Product color	Gray

<b>Body material</b>	Aluminum
----------------------	----------

### Temperatures & operating conditions

<b>Ambient temperature range</b>	-20...40 °C
----------------------------------	-------------

### Lifespan

<b>Number of switching cycles</b>	15000
-----------------------------------	-------

### Additional product data

<b>Mounting location</b>	Wall
<b>Product remark</b>	Available from February 2018

### Capabilities

<b>Dimmable</b>	No
<b>Type of connection</b>	Terminal, 3-Pole (L, N, PE)
<b>LED module replaceable</b>	Not replaceable

### Certificates & standards

<b>Type of protection</b>	IP54
<b>Protection class</b>	I
<b>Protection class IK (shock resistance)</b>	IK06
<b>Standards</b>	CE
<b>Photobiological safety group</b>	RG 0

## EQUIPMENT / ACCESSORIES

- Complete mounting and connecting accessories included

## LOGISTICAL DATA

Product code	Product description	Packaging unit (Pieces/Unit)	Dimensions (length x width x height)	Volume	Gross weight
4058075074798	LED FACADE EDGE 12 W 3000 K GY SENSOR	Shipping carton box 4	425 mm x 285 mm x 315 mm	38.15 dm <sup>3</sup>	5822.00 g

The mentioned product code describes the smallest quantity unit which can be ordered. One shipping unit can contain one or more single products. When placing an order, for the quantity please enter single or multiples of a shipping unit.

## REFERENCES / LINKS

For Guarantee see

- ▶ [www.ledvance.com/guarantee](http://www.ledvance.com/guarantee)

---

**DISCLAIMER**

Subject to change without notice. Errors and omission excepted. Always make sure to use the most recent release.