

OccuSwitch

LCC1070/00 PIR T-CABLE 3P



The OccuSwitch is a movement detector with a built-in switch. It will switch the lights off in a room or area when it is vacated and thus save up to 30% on electricity. The OccuSwitch can switch any load of up to 6 A and control an area of between 20 and 25 m². A detachable mains connector enables easy installation and mounting of the OccuSwitch in the ceiling, a separate Wieland cable is available for easy, fast and trouble-free installation.

Product data

• General Characteristics

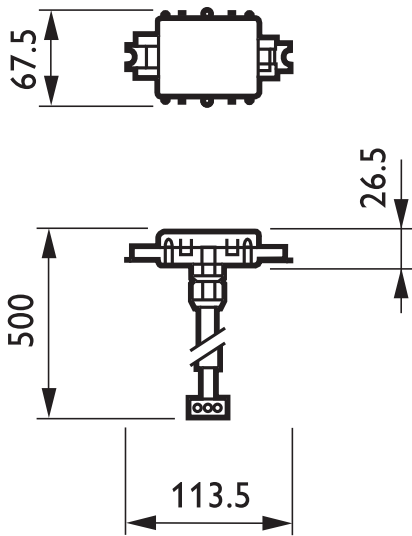
Design PIR T-CABLE 3P

• Product Data

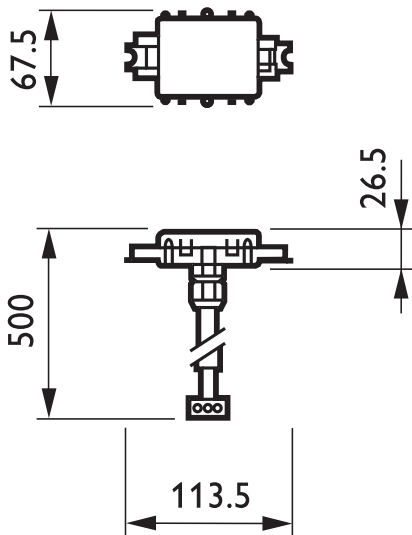
Order code 913700330303
Full product code 913700330303
Full product name LCC1070/00 PIR T-CABLE 3P
Order product name LCC1070/00 PIR T-CABLE 3P
Pieces per pack 1

Packing configuration 20
Packs per outerbox 20
Bar code on pack - EAN1 8711559731773
Bar code on outerbox - EAN3 8711559731780
Logistic code(s) - 12NC 913700330303
Net weight per piece 0.150 kg

Dimensional drawing



LCC1070



LCC1070



© 2012 Koninklijke Philips Electronics N.V.
All rights reserved.

Specifications are subject to change without notice. Trademarks are the property of Koninklijke Philips Electronics N.V. or their respective owners.

www.philips.com/lighting

2012, April 11
data subject to change