




# Linear LED



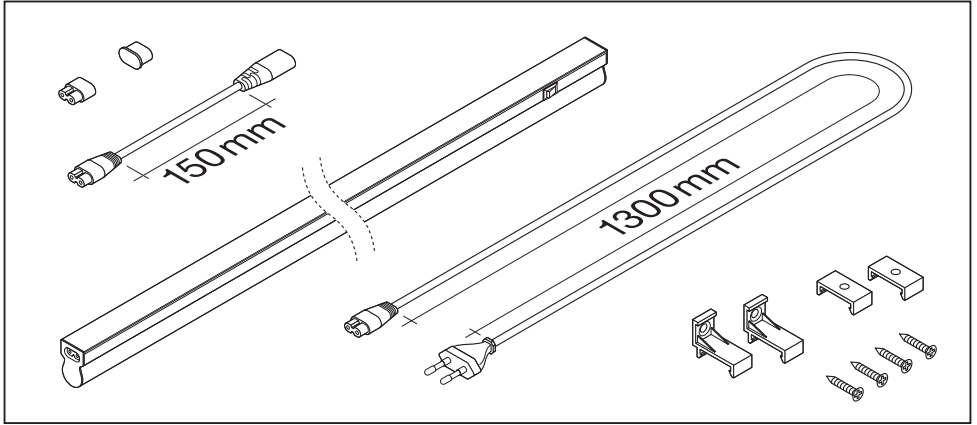
	EAN	L x W x H	W	lm	lm/W	K	IP	IK	ON  OFF		R <sub>a</sub>	
Linear LED 300	4058075000247	313 x 28 x 36	4	400	100	3000	20	2	✓	140°	> 80	0.1 kg
Linear LED 300	4058075000261	313 x 28 x 36	4	450	110	4000	20	2	✓	140°	> 80	0.1 kg
Linear LED 600	4058075000285	573 x 28 x 36	8	800	100	3000	20	2	✓	140°	> 80	0.3 kg
Linear LED 600	4058075000308	573 x 28 x 36	8	800	100	4000	20	2	✓	140°	> 80	0.3 kg
Linear LED 900	4058075056497	873 x 28 x 36	12	1200	100	3000	20	2	✓	140°	> 80	0.3 kg
Linear LED 900	4058075056510	873 x 28 x 36	12	1200	100	4000	20	2	✓	140°	> 80	0.3 kg
Linear LED 1200	4058075000322	1173 x 28 x 36	14	1400	100	3000	20	2	✓	140°	> 80	0.4 kg
Linear LED 1200	4058075000346	1173 x 28 x 36	14	1500	100	4000	20	2	✓	140°	> 80	0.4 kg
Linear LED 600 Power	4058075000360	573 x 28 x 36	10	1000	100	3000	20	2	-	140°	> 80	0.3 kg
Linear LED 600 Power	4058075000384	573 x 28 x 36	10	1000	100	4000	20	2	-	140°	> 80	0.3 kg
Linear LED 900 Power	4058075056534	873 x 28 x 36	15	1500	100	3000K	20	2	-	140°	> 80	0.3 kg
Linear LED 900 Power	4058075056558	873 x 28 x 36	15	1500	100	4000K	20	2	-	140°	> 80	0.3 kg
Linear LED 1200 Power	4058075000407	1173 x 28 x 36	20	2000	100	3000	20	2	-	140°	> 80	0.4 kg
Linear LED 1200 Power	4058075000421	1173 x 28 x 36	20	2000	100	4000	20	2	-	140°	> 80	0.4 kg
Linear LED 1500 Power	4058075000445	1473 x 28 x 36	25	2500	100	3000	20	2	-	140°	> 80	0.6 kg
Linear LED 1500 Power	4058075000469	1473 x 28 x 36	25	2500	100	4000	20	2	-	140°	> 80	0.6 kg



**LEDVANCE**  
OSRAM



# Linear LED



**1**

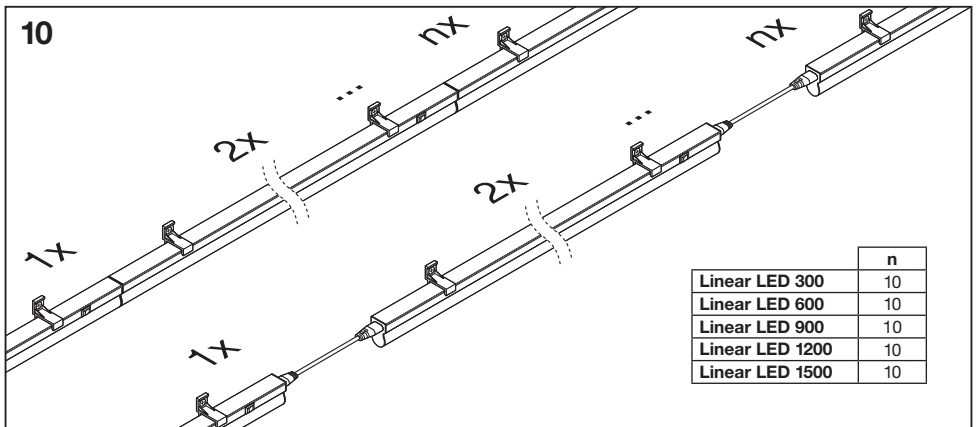
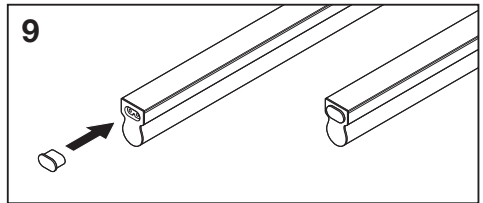
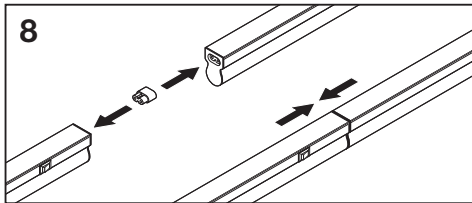
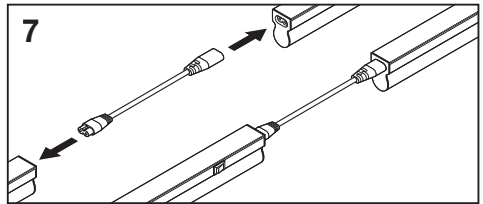
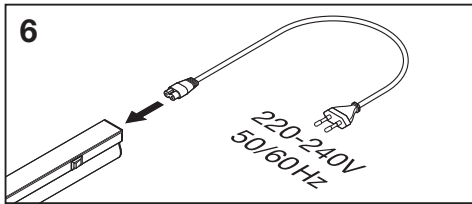
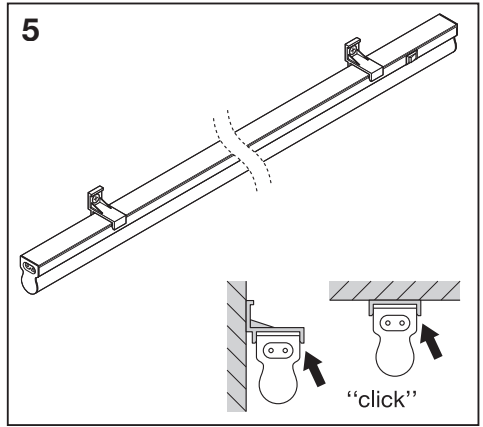
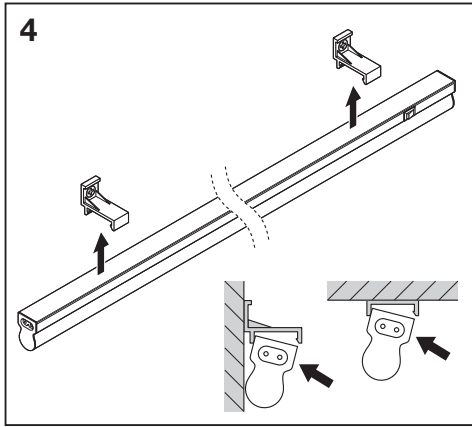
	d
Linear LED 300	290 mm
Linear LED 600	550 mm
Linear LED 900	850 mm
Linear LED 1200	1150 mm
Linear LED 1500	1450 mm

**2**

**3a**

**3b**

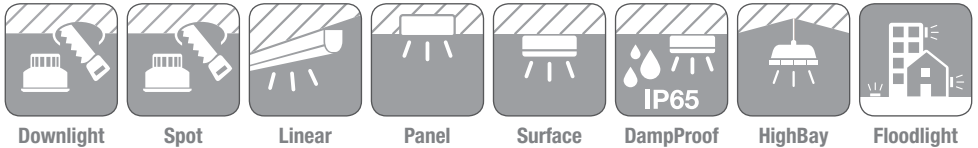
Linear LED





	EAN	Δ (°C)	V <sub>AC</sub>	Hz	PF
Linear LED 300	4058075000247	-20...+40	220-240V	50/60 Hz	> 0.5
Linear LED 300	4058075000261	-20...+40	220-240V	50/60 Hz	> 0.5
Linear LED 600	4058075000285	-20...+40	220-240V	50/60 Hz	> 0.5
Linear LED 600	4058075000308	-20...+40	220-240V	50/60 Hz	> 0.5
Linear LED 900	4058075056497	-20...+40	220-240V	50/60 Hz	> 0.5
Linear LED 900	4058075056510	-20...+40	220-240V	50/60 Hz	> 0.5
Linear LED 1200	4058075000322	-20...+40	220-240V	50/60 Hz	> 0.5
Linear LED 1200	4058075000346	-20...+40	220-240V	50/60 Hz	> 0.5
Linear LED 600 Power	4058075000360	-20...+40	220-240V	50/60 Hz	> 0.5
Linear LED 600 Power	4058075000384	-20...+40	220-240V	50/60 Hz	> 0.5
Linear LED 900 Power	4058075056534	-20...+40	220-240V	50/60 Hz	> 0.5
Linear LED 900 Power	4058075056558	-20...+40	220-240V	50/60 Hz	> 0.5
Linear LED 1200 Power	4058075000407	-20...+40	220-240V	50/60 Hz	> 0.5
Linear LED 1200 Power	4058075000421	-20...+40	220-240V	50/60 Hz	> 0.5
Linear LED 1500 Power	4058075000445	-20...+40	220-240V	50/60 Hz	> 0.9
Linear LED 1500 Power	4058075000469	-20...+40	220-240V	50/60 Hz	> 0.9

www.luminaire.ledvance.com



C10449057  
G11016103  
27.06.17

LEDVANCE GmbH  
Steinerne Furt 62  
86167 Augsburg  
Germany  
[www.ledvance.com](http://www.ledvance.com)