

TITAN 2.0 HIGHBAY

Product Features

- Dust and weatherproof rated highbay with wide optical lens as standard
- Die-cast aluminium housing with choice of 120, 90 or 60 degree polycarbonate lens
- Suspended mounting via eye bolt hook supplied
- Supplied with pre-wired weatherproof IP68 electrical connector and 0.3m of rubber cable
- High output emergency of over 900 lumens



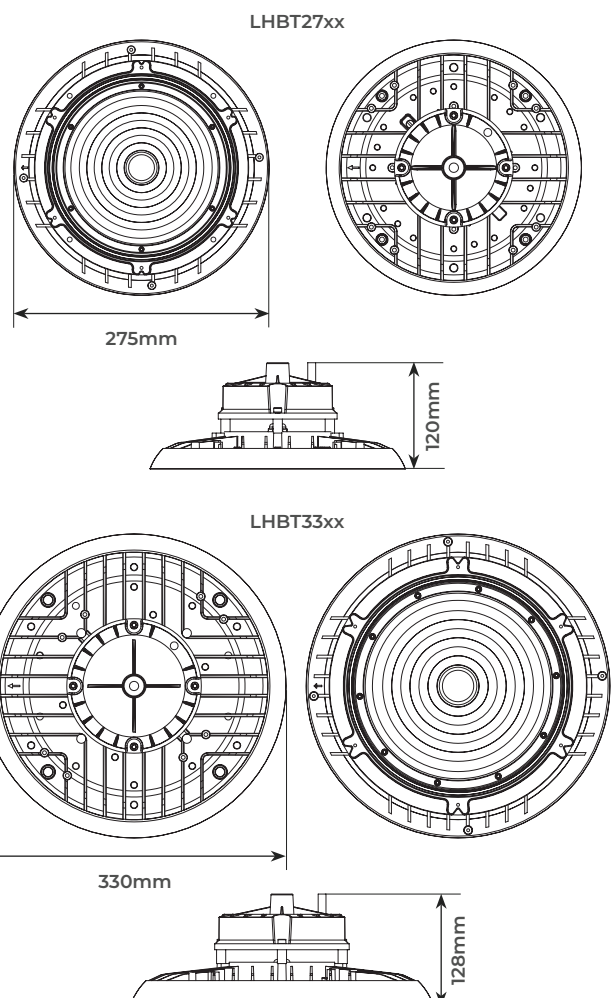
CAT NO.	OPTICAL DISTRIBUTION	LUMINAIRE LUMENS	WATTAGE	EFFICACY Llm/W
LHBT27B15S12040	120°	14500	100W	145
LHBT27B15S9040	90°	14500	100W	145
LHBT27B15S6040	60°	14500	100W	145
LHBT27B22S12040	120°	22000	150W	147
LHBT27B22S9040	90°	22000	150W	147
LHBT27B22S6040	60°	22000	150W	147
LHBT33B29S12040	120°	29000	200W	145
LHBT33B29S9040	90°	29000	200W	145
LHBT33B29S6040	60°	29000	200W	145

To Specify:

IP65 rated highbay with die-cast aluminium housing, pre-wired with rubber cable, choice of polycarbonate lenses and Llm/W up to 147.



Product Drawing



CAT NO.	WEIGHT (kg)	CRI	FREQUENCY (Hz)	UGR	IK RATING	TEMP RANGE (°C)	AMBIENT TEMP RATED LIFE (°C)	L/B RATED LIFE
LHBT27B15S12040	1.74	≥80	50-60	<31	IK06	-25 to +40°C	25°C	L70/B50
LHBT27B15S9040	1.74	≥80	50-60	<27	IK06	-25 to +40°C	25°C	L70/B50
LHBT27B15S9040	1.74	≥80	50-60	<25	IK06	-25 to +40°C	25°C	L70/B50
LHBT27B22S12040	1.74	≥80	50-60	<32	IK06	-25 to +40°C	25°C	L70/B50
LHBT27B22S9040	1.74	≥80	50-60	<28	IK06	-25 to +40°C	25°C	L70/B50
LHBT27B22S6040	1.74	≥80	50-60	<26	IK06	-25 to +40°C	25°C	L70/B50
LHBT33B29S12040	2.43	≥80	50-60	<32	IK06	-25 to +40°C	25°C	L70/B50
LHBT33B29S9040	2.43	≥80	50-60	<28	IK06	-25 to +40°C	25°C	L70/B50
LHBT33B29S6040	2.43	≥80	50-60	<26	IK06	-25 to +40°C	25°C	L70/B50

LHBT27B22S6040
Luminaire Performance

Light Output Ratio: 100%
Luminaire Efficacy: 146.67 lm/W
Light Distribution: A60 +99.6% +0.4%
CIE Flux Codes: 77 95 99 100 99
UGR 4H 8H (20%, 50%, 70%) C0 / C90: 26.1 / 26.1

Luminous Intensity

Legend: ■ C0 / C180 cd / 100lm c90 / c270

LHBT27B22S9040
Luminaire Performance

Light Output Ratio: 93.98%
Luminaire Efficacy: 137.85 lm/W
Light Distribution: A50 +99.5% +0.5%
CIE Flux Codes: 65 94 99 100 94
UGR 4H 8H (20%, 50%, 70%) C0 / C90: 28.1 / 28.1

Luminous Intensity

Legend: ■ C0 / C180 cd / 100lm c90 / c270

LHBT27B22S12040
Luminaire Performance

Light Output Ratio: 97.47%
Luminaire Efficacy: 142.97 lm/W
Light Distribution: A40 +99.4% +0.6%
CIE Flux Codes: 51 85 98 99 97
UGR 4H 8H (20%, 50%, 70%) C0 / C90: 31.8 / 31.8

Luminous Intensity

Legend: ■ C0 / C180 cd / 100lm c90 / c270

STANDARD	DESCRIPTION
60598-1	Luminaires – General requirements
60598-2-1	Luminaires – Part 2-1: Particular requirements – Fixed general purpose luminaires
60598-2-22	Luminaires – Emergency
61000-3-2	Electromagnetic compatibility (EMC) – Part 3-2: Limits – for harmonic current emissions
61000-3-3	Lamp controlgear – Part 1: General and safety requirements
61547	Equipment for general lighting purposes – EMC immunity requirements
55015	Limits and methods of measurement of radio disturbance characteristics of electrical lighting and similar equipment

