

# PopPack LED

# THORN

## 96630947 POPPACK LED6500-840 HF E3 L1800

LED 53W POPL_654	IP20	IK03			650°C	T <sub>a</sub> 0 +25
------------------	------	------	--	--	-------	-------------------------

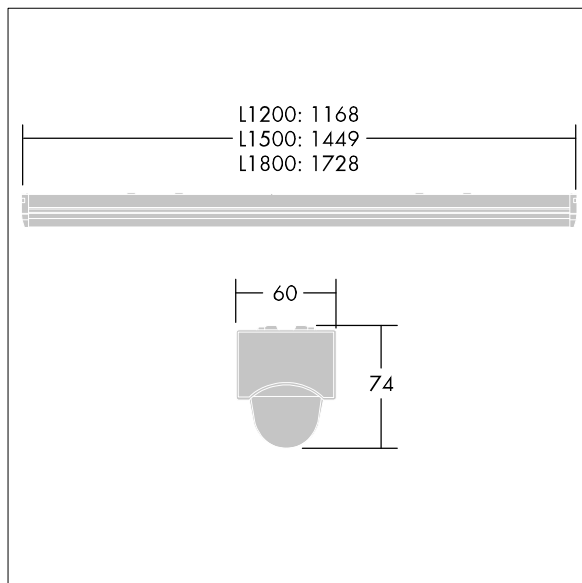
### PopPack LED

Batten LED luminaire. Electronic, fixed output control gear with 3 hour, manual test, emergency lighting circuit. Body: coated, formed steel, white (RAL9016). End caps: injection moulded polycarbonate, white. Diffuser: textured opal acrylic. Electrical connection via 4 x 2 x 2.5mm<sup>2</sup> terminal block. Complete with 4000K LED

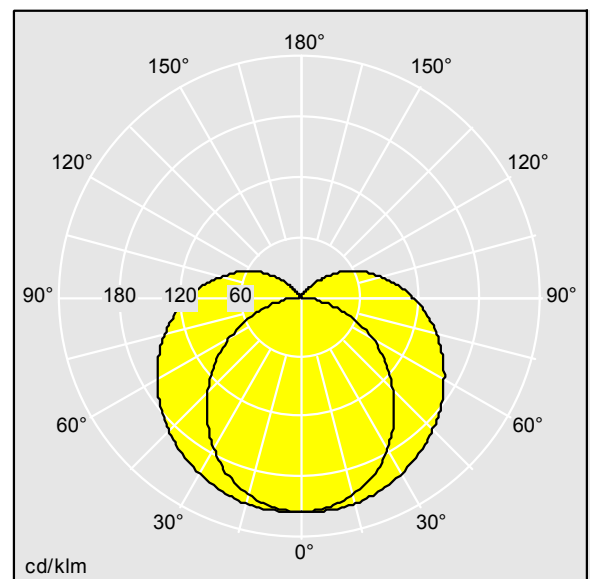
Dimensions: 1795 x 60 x 74 mm  
Total power: 52.9 W  
Luminaire luminous flux: 6600 lm  
Luminaire efficacy: 125 lm/W  
Weight: 2.6 kg



TLG\_POPR\_F\_LEDPDB.jpg



TLG\_POPL\_M\_LD1.wmf



TLG\_SP\_0043366.ltd

Lamp position: STD - standard  
Light Source: LED  
Luminaire luminous flux\*: 6600 lm  
Total emergency luminous flux: 410 lm  
Luminaire efficacy\*: 125 lm/W  
Lamp efficacy: 124 lm/W  
Colour Rendering Index min.: 80  
Correlated colour temperature\*: 4000 Kelvin

Chromaticity tolerance (initial MacAdam)\*: 3  
Rated median useful life\*:  
50000h L80 at 25°C  
Ballast: 1x HF\_ Tridonic LC  
Luminaire input power\*: 52.9 W Lambda = 0.95  
Charging power: 4 W  
Dimming: FO  
Maintenance category: D - Enclosed IP2X  
LOR: 1,00 ULOR: 0,17 DLOR: 0,83

All values marked with an \* are rated values. Thorn uses tried and tested components from leading suppliers, however there may be isolated instances of technology-related failures of individual LEDs during the rated product lifetime. International standards set the tolerance in initial flux and connected load at  $\pm 10\%$ . Colour temperature is subject to a tolerance of up to  $\pm 150$  Kelvin from the nominal value. Unless stated otherwise, the values apply to an ambient temperature of 25°C.

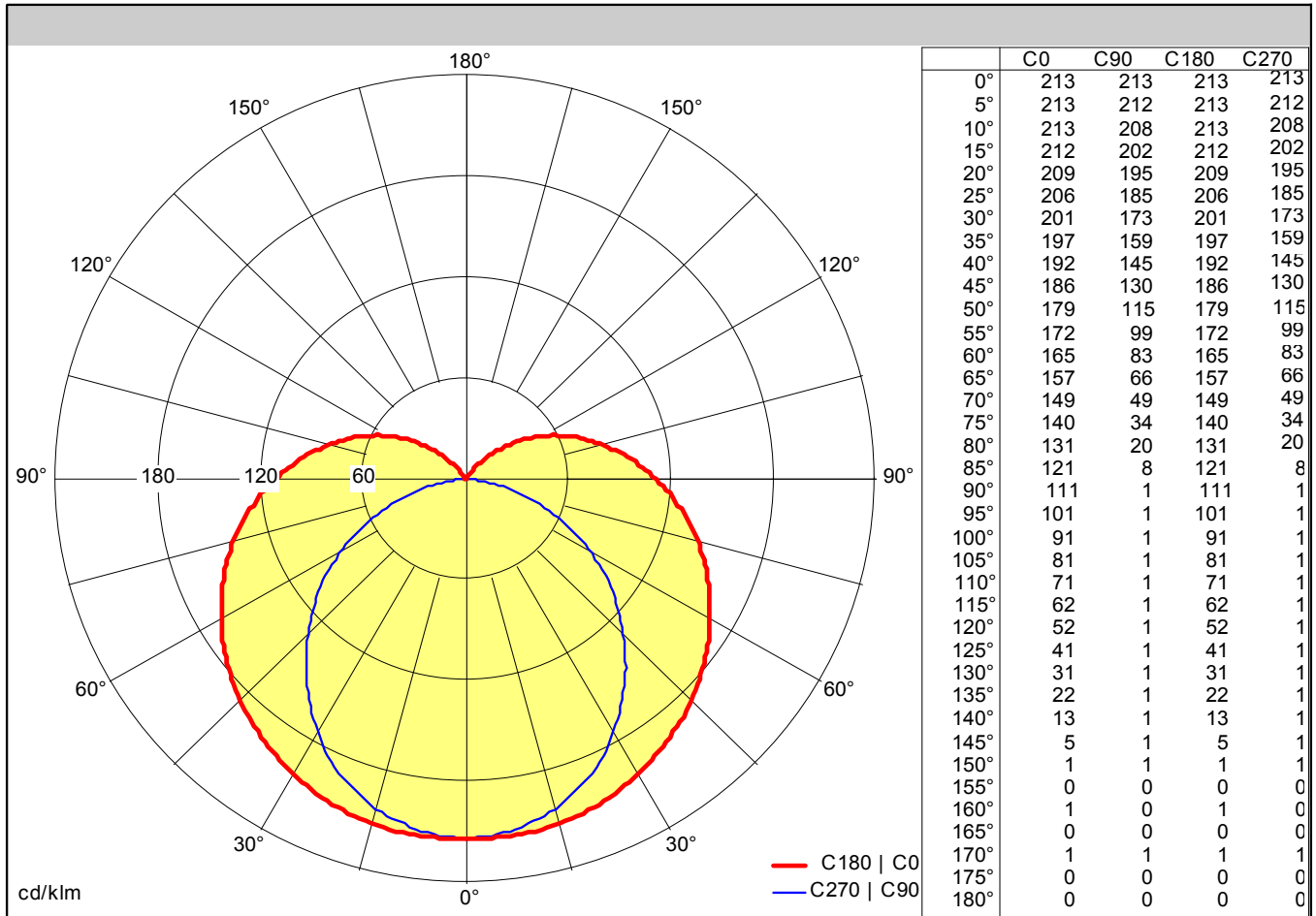
In most products the failure of one LED point causes no functional impairment to the lighting performance of the luminaire and is therefore no reason for complaint. Unless otherwise stated all Thorn LED products are suitable for unrestricted use (rated RG0 or RG1) with regard photobiological blue light safety (IEC/EN60598-1).

Thorn Lighting is constantly developing and improving its products. The right is reserved to change specifications without prior notification or public announcement.  
© Thorn Lighting

# PopPack LED



96630947 POPPACK LED6500-840 HF E3 L1800



Light output ratio	
LOR	100 %
ULOR	17 %
DLOR	83 %
FFR	0.20 (17:83)
BLF	1.00

Glare Evaluation	
X = 4 H, Y = 8 H	S = 1.00 H
Reflection factors	70/50/20
UGR transversal	<28
UGR axial	<25

Classification	
LiTG	B31
EN	
BZ	BZ6
UTE	0.83 G + 0.17 T
CIE Flux Codes	36 64 85 83 100

Utilization Factors									
Room Reflectance Ceiling/Walls/Floor	Room Index								
	0.75	1.00	1.25	1.50	2.00	2.50	3.00	4.00	5.00
70 / 50 / 20	49	56	63	68	76	81	84	89	93
70 / 30 / 20	41	48	55	61	68	74	78	84	88
70 / 10 / 20	35	42	49	54	62	68	73	79	84
50 / 50 / 20	45	52	59	63	70	74	78	82	85
50 / 30 / 20	38	45	52	57	64	69	73	78	81
50 / 10 / 20	33	40	47	51	59	64	68	74	78
30 / 50 / 20	43	49	55	59	64	69	72	76	78
30 / 30 / 20	36	43	49	53	60	64	67	72	75
30 / 10 / 20	32	38	44	49	55	60	64	69	73
0 / 0 / 0	28	33	39	43	49	53	57	61	64

According to CIBSE Technical Memorandum No. 5 1980

SHR Nom =	1.50
SHR Max =	1.75
SHR Max TR =	2.17

Photometric data file: TLG\_SP\_0043366.ltd