

PopPack LED

THORN

96630934 POPPACK LED5000-840 HF L1500

LED 36W POPL_504	IP20	IK03				EAC	650°C	T _a -20 +25
------------------	------	------	--	--	--	-----	-------	---------------------------

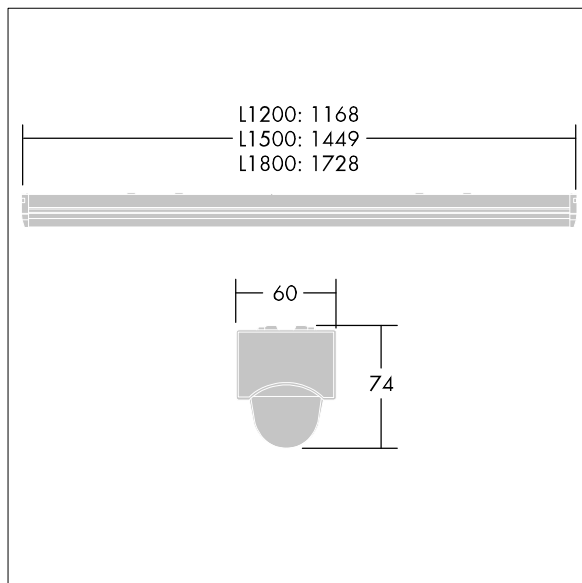
PopPack LED

Batten LED luminaire. Electronic, fixed output control gear.
Body: coated, formed steel, white (RAL9016). End caps:
injection moulded polycarbonate, white. Diffuser: textured
opal acrylic. Electrical connection via 3 x 2 x 2.5mm²
terminal block. Complete with 4000K LED

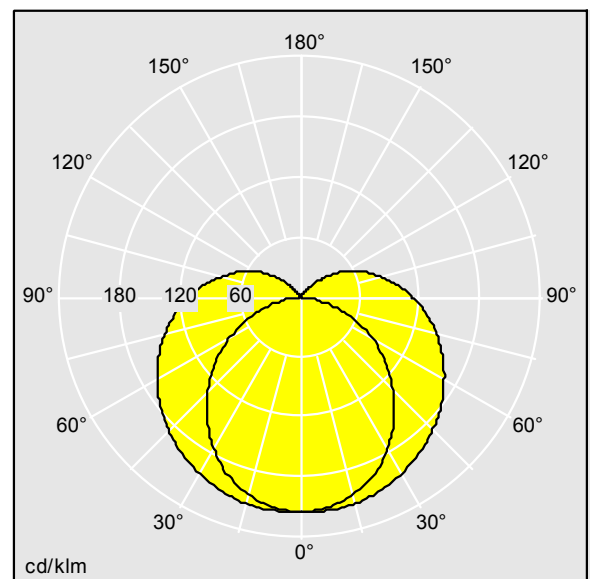
Dimensions: 1449 x 60 x 74 mm
Total power: 35.8 W
Luminaire luminous flux: 5100 lm
Luminaire efficacy: 142 lm/W
Weight: 1.7 kg



TLG_POPR_F_LEDPDB.jpg



TLG_POPL_M_LD1.wmf



TLG_SP_0043349.ltd

Lamp position: STD - standard
Light Source: LED
Luminaire luminous flux*: 5100 lm
Luminaire efficacy*: 142 lm/W
Lamp efficacy: 142 lm/W
Colour Rendering Index min.: 80
LOR: 1,00 ULOR: 0,17 DLOR: 0,83

Correlated colour temperature*: 4000 Kelvin
Chromaticity tolerance (initial MacAdam)*: 3
Rated median useful life*:
50000h L80 at 25°C
Ballast: 1x HF_ Tridonic LC
Luminaire input power*: 35.8 W Lambda = 0.95
Dimming: FO

All values marked with an * are rated values. Thorn uses tried and tested components from leading suppliers, however there may be isolated instances of technology-related failures of individual LEDs during the rated product lifetime. International standards set the tolerance in initial flux and connected load at $\pm 10\%$. Colour temperature is subject to a tolerance of up to ± 150 Kelvin from the nominal value. Unless stated otherwise, the values apply to an ambient temperature of 25°C.

In most products the failure of one LED point causes no functional impairment to the lighting performance of the luminaire and is therefore no reason for complaint. Unless otherwise stated all Thorn LED products are suitable for unrestricted use (rated RG0 or RG1) with regard photobiological blue light safety (IEC/EN60598-1).

Thorn Lighting is constantly developing and improving its products. The right is reserved to change specifications without prior notification or public announcement.
© Thorn Lighting