

INTERNAL LOCATION

This product is suitable for Zone 3 only. (Not Zone 0, 1, or 2).

Zone 1: the area around the bathtub or shower basin up to a height of 2.25m above the floor and at a radius of 1.2m the water outlet.

Zone 2: is limited by the vertical planes external to zone 1 and parallel vertical plane(s) 0.60m external to zone 1.

Note

Installation must be installed by a qualified electrician (BS7671).
Read before installation and retain for future reference.

Ideal for Indoor use.

Always check for concealed pipes and cables before installation.

Wood or brick mounting surface.

240V-50Hz Incoming supply.

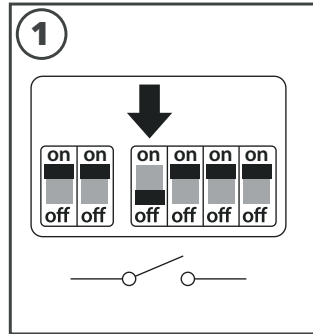
NOTE

DO NOT MODIFY - this will invalidate the warranty and could be dangerous.

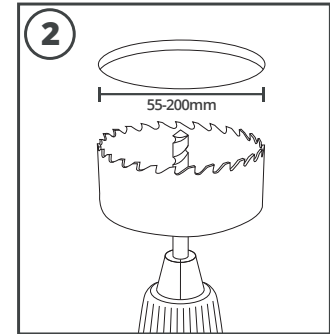
Waste electrical products should not be disposed of with household waste.

Please recycle where facilities exist.

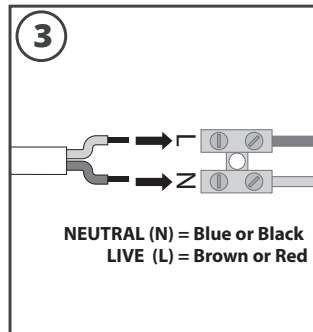
Check with your Local Authority or retailer for recycling advice.



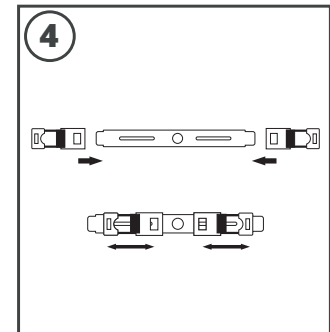
Switch OFF at mains supply before installing



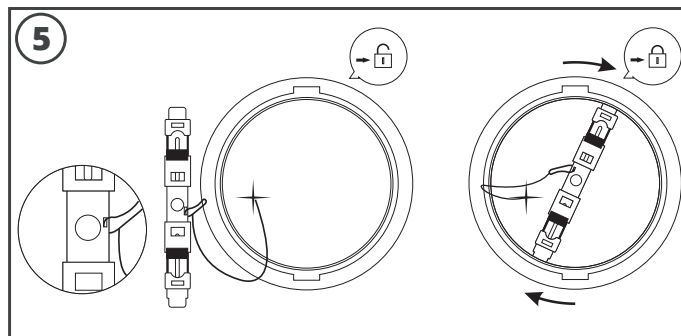
Carefully cut out hole to size (55-200mm) or use existing hole as a retrofit panel



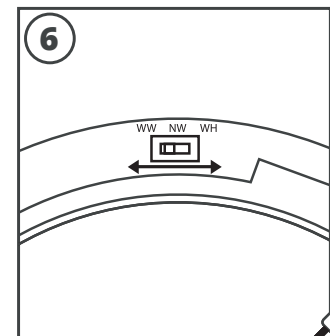
Connect LED panel to power supply



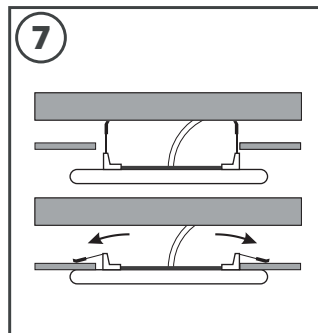
Attach the spring clips to the bracket and adjust to required length



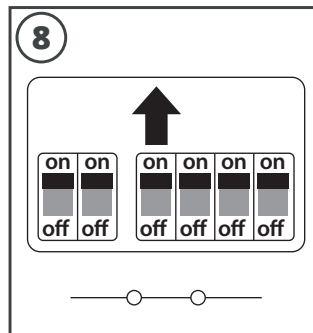
Insert the fixing bracket onto the back plate and twist to secure



Switch the CCT to desired setting
WW - 3000K Warm White
NW - 4000K Natural / Cool White
WH - 6000K White / Daylight



Push springs upwards and insert



Return power. Switch ON at mains supply