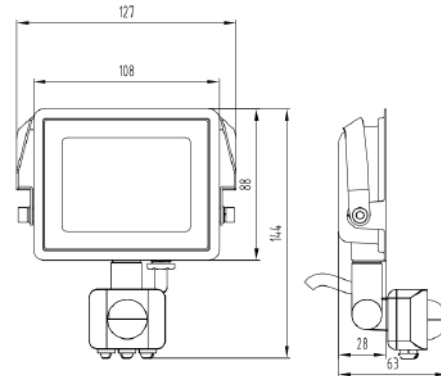
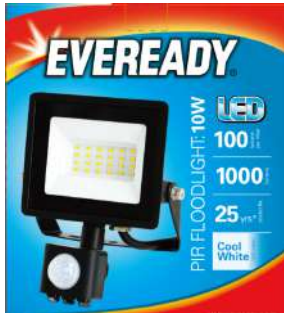


Product Information



Technical Specifications:

Model	Voltage	Power	Displacement factor	Lumen	Beam angle	CCT	Lifespan	Cable	Dimmable	Dimension
S13948	AC220-240V	10W PIR	≥0.5	1000lm	110°	4000K	25,000hrs	100cm	No	144X127X63mm

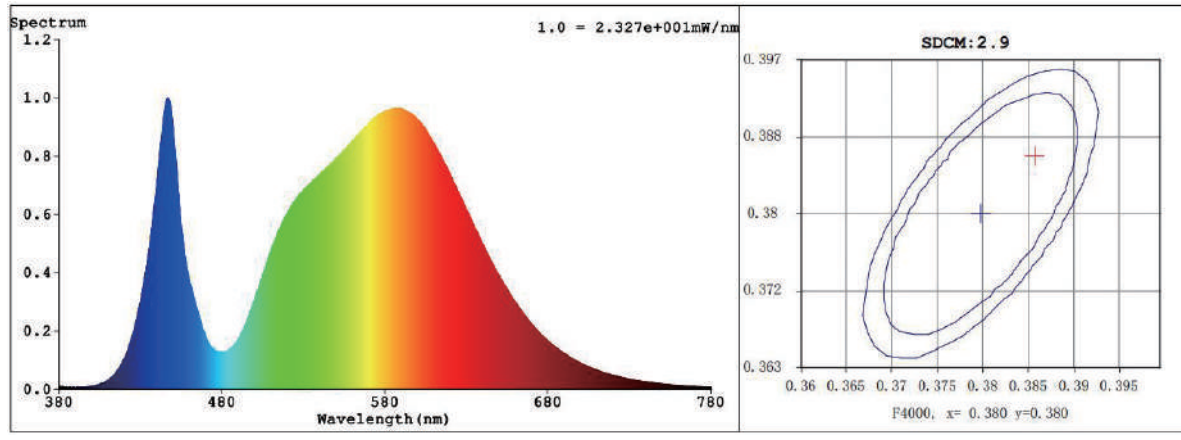
Driver Data Sheet

Driver date	Specification
Input rated Voltage	AC220-240V
Frequency	50/60HZ
Input Voltage	AC220-240V
Efficiency	80%
Total Load wattage	10W
Displacement Factor	≥0.5
Rated input current	0.045
Full load output current	0.037
Rated output current	0.03
Output current range	±10%
Power tolerance	±10%
Current output tolerance	±10%
Withstand voltage	1500V
Short circuit protection	PASS
Overload protection	PASS
No-load protection	PASS

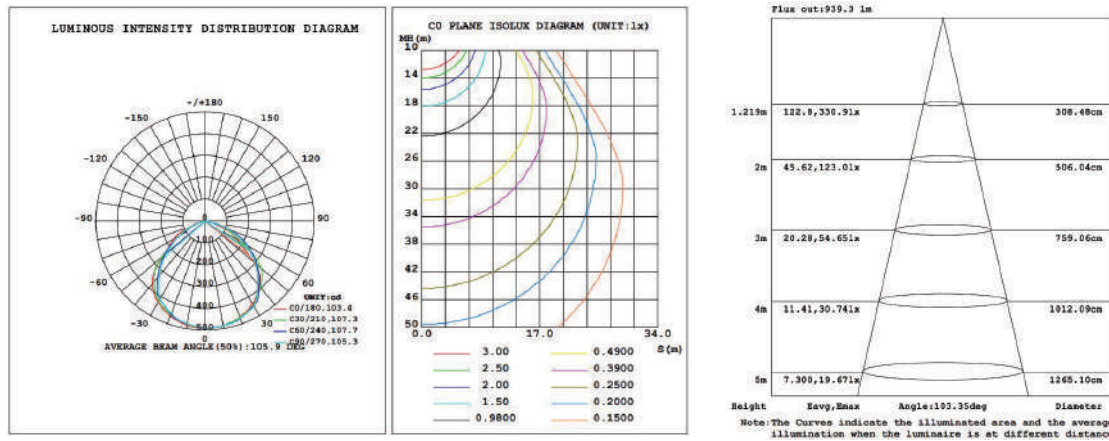
Fixture Compatibility

Rated Wattage	Electrical Classification	Ingress Protection	Operating Temp	Operating Humidity	Storage
10W	I	IP44	-20°C - +40°C	10-95%	-25°C - +65°C ≤ 95%RH(25 best)

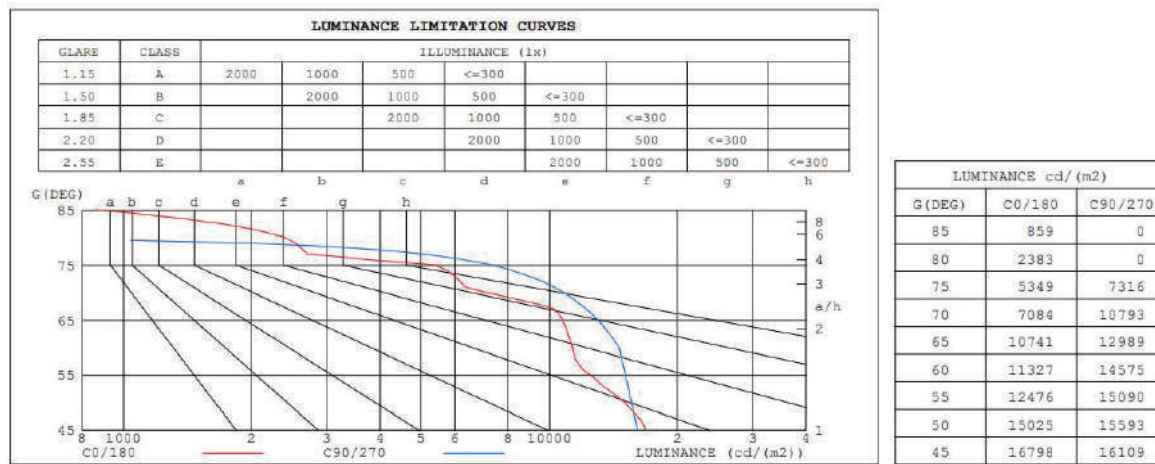
Spectral Distribution



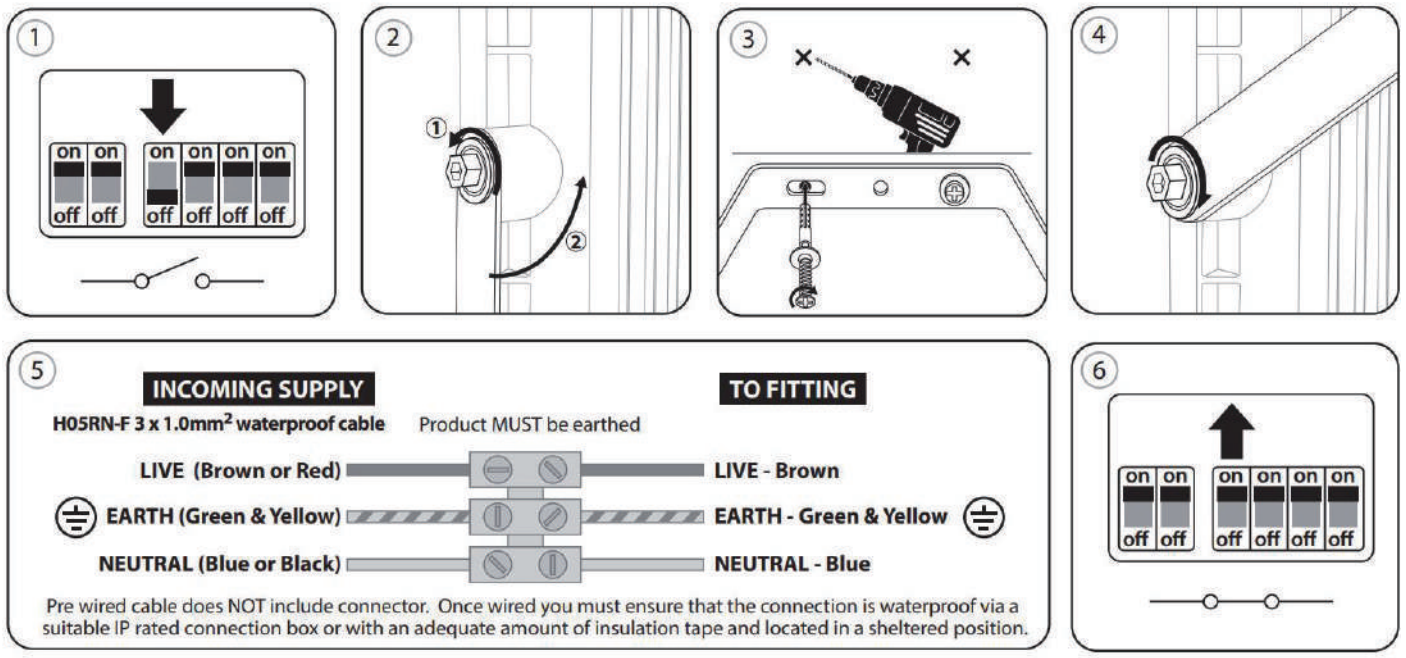
Photometric Diagram



Luminance Limitation Curves



Installation



Packaging Information

	Size(CM)	N.W/Pcs (KGS)	G.W/Pcs (KGS)	Qty(PCS)
Carton	28.5X21X32	0.19	2.9	12

	CTNS	QTY(PCS)	VOLUME(CBM)
20"Standard container	1461	18792	28
40"Standard container	3028	38940	58

Regulation

EN IEC 60598-1:2021/A11:2022 EN 60598-2-5:2015 EN62493:2015/A1:2022
 IEC60598-2-5:2015 used in conjunction with IEC60598-1:2020
 EN IEC55015:2019/A11:2020 EN61547:2009 EN IEC 61000-3-2:2019/A1:2021 EN61000-3-3:2013/A2:2021
 EN IEC 55015,EN61547, EN IEC 61000-3-2 and EN 61000-3-3