



ClearAccent

RS061B LED5-36-/830 PSR II WH

RS061B ADJUSTABLE - 36 ° - 830 warm white - Power supply unit regulating - Safety class II - White

ClearAccent is an entry-level recessed spot range designed to replace halogen-based luminaires. Its attractive price and high lumen per watt ratio make the decision to switch to LED an easy one. The luminaire's compact design, with built-in driver, is suitable for a wide variety of applications. The dimensions of the fixation hole meet the old halogen-based standard of 68 mm, which makes retrofitting possible. Thanks to the screw-in connectors, installation is easy and safe.

Product data

General Information		Operating and Electrical	
Beam angle of light source	36 °	Glow-wire test	Temperature 650 °C, duration 30 s
Light source color	830 warm white	Flammability mark	-
Cap-Base	- [-]	CE mark	CE mark
Light source replaceable	No	ENEC mark	-
Number of gear units	-	UL mark	-
Gear	-	Warranty period	3 years
Driver/power unit/transformer	Power supply unit regulating	Constant light output	No
Driver included	Yes	Number of products on MCB of 16 A type B	48
Optic type	Symmetrical	RoHS mark	-
Optical cover/lens type	Clear flat	Product family code	RS061B [RS061B ADJUSTABLE]
Luminaire light beam spread	36°		
Control interface	Analog	Input Voltage	220-240 V
Connection	Screw connection block 3-pole	Input Frequency	50 to 60 Hz
Cable	-	Control signal voltage	-
Protection class IEC	Safety class II	Inrush current	2 A

Inrush time	82 ms
Power Factor (Min)	0.9

Controls and Dimming

Dimmable	Yes
----------	-----

Mechanical and Housing

Housing Material	Aluminum die-cast
Reflector material	Polycarbonate aluminum coated
Optic material	Polycarbonate
Optical cover/lens material	Polycarbonate
Gear tray material	-
Fixation material	-
Optical cover/lens finish	Clear
Overall height	55 mm
Overall diameter	80 mm

Approval and Application

Ingress protection code	IP20 [Finger-protected]
Mech. impact protection code	IK02 [0.2 J standard]

Initial Performance (IEC Compliant)

Initial luminous flux (system flux)	500 lm
Luminous flux tolerance	+/-10%
Initial LED luminaire efficacy	83 lm/W
Init. Corr. Color Temperature	3000 K
Init. Color Rendering Index	≥80
Initial chromaticity	(0.43, 0.40) SDCM <3

Initial input power	6 W
Power consumption tolerance	+/-10%

Over Time Performance (IEC Compliant)

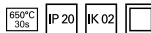
Driver failure rate at 5000 h	1.5 %
Median useful life L70B50	25000 h
Median useful life L80B50	20000 h
Median useful life L90B50	15000 h

Application Conditions

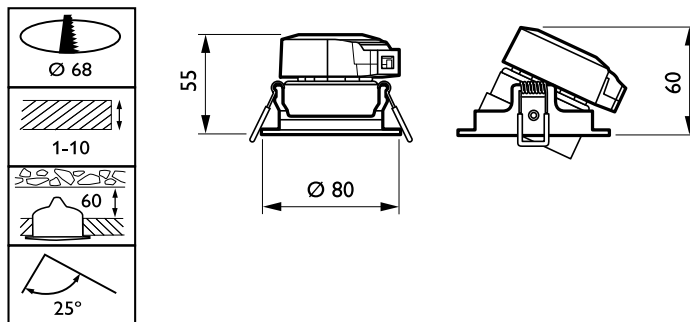
Ambient temperature range	0 to +40 °C
Average ambient temperature	25 °C
Maximum dim level	10% (depends on dimmer, ELV)
Suitable for random switching	No

Product Data

Full product code	871869607269199
Order product name	RS061B LED5-36-/830 PSR II WH
EAN/UPC - Product	8718696072691
Order code	910503910184
Numerator - Quantity Per Pack	1
Numerator - Packs per outer box	24
Material Nr. (12NC)	910503910184
Net Weight (Piece)	0.110 kg



Dimensional drawing



ClearAccent RS060B

