

Product Description

- High-Frequency electronic transformer for operation with 12V halogen lamps, available in 70, 105 and 150W versions

Features and Benefits

- Fits in smallest downlighting halogen application
- Possibility to connect two lamps for 70W and 105W and to connect three lamps for 150W
- Possibility to loop through one transformer to another for the 150W
- Unique compact, lightweight design
- Fully IEC compliant
- Dimmable with Philips-approved Leading and Trailing Edge dimmers
- Safe operation due to protection circuits:
 - in case of short circuit at the output
 - in case of excessive loads
 - in case of excessive temperatures
- Constant output voltage:
 - constant light level in case of undervoltage
 - full service life in case of overvoltage



Primaline

Application

- Indoor residential use including living rooms and decorative and accent lighting
- Professional applications including retail, offices, conference rooms and exhibitions

Quality

Philips Quality implies optimum quality with regard to:

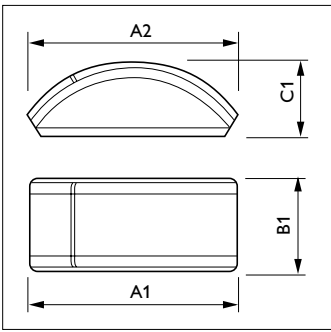
- System supplier: As manufacturer of lamps and electronic control gear, Philips ensures that, from the earliest development stage, optimum lamp/gear performance is maintained
- International standards: Philips electronic gears comply with relevant international rules and regulations

Compliances and approvals

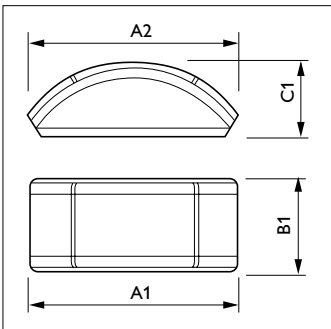
- Complies to IIEC and ENEC standards
- Compliant to all safety standards (CE, ENEC)

Recommended lamp page 9.4 - 9.45

www.philips.com/OEM



Primaline 105/70



Primaline 150

Type	AINom	BINom	CINom
Primaline 105 230-240V 50/60Hz	110	45	33

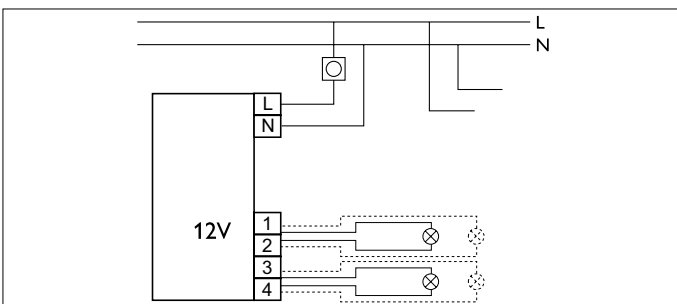
Type	AINom	BINom	CINom
Primaline 150 230-240V 50/60Hz	145	51	33

Electrical data

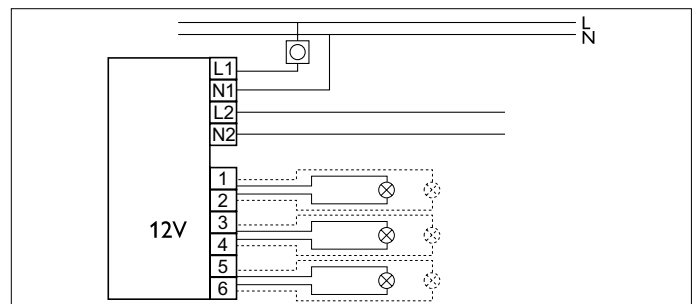
Type	Number of Lamps (x)	Rated Gear-Lamp Power	Line Frequency (Hz)	Line Voltage (V)
Primaline 105 230-240V 50/60Hz	2	50-105	50/60	230-240
Primaline 150 230-240V 50/60Hz	3	70-150	50/60	230-240
Primaline 70 230-240V 50/60Hz	2	35-70	50/60	230-240

Ordering and packing data

Type	EAN code 1 piece	Weight	Qty bulk packing	Dimensions bulk packing	EAN code bulk packing	EOC 8711500
Primaline 105 230-240V 50/60Hz	8711500912688	0.126 kg	50	25.5 cm x 22 cm x 19.5 cm	8711500912695	912688 30
Primaline 150 230-240V 50/60Hz	8711500912701	0.2 kg	50	30.5 cm x 29 cm x 19.6 cm	8711500912718	912701 30
Primaline 70 230-240V 50/60Hz	8711500912664	0.12 kg	50	25.5 cm x 22 cm x 19.5 cm	8711500912671	912664 30



Primaline 105/70



Primaline 150