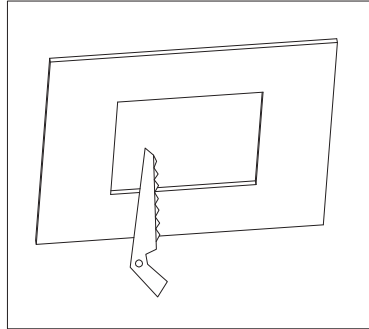
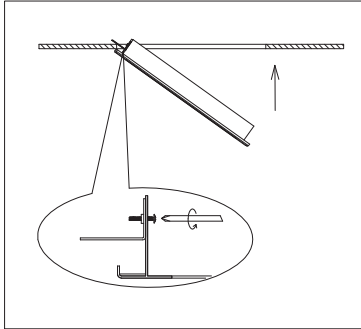


Recessed with frame



① Cut a hole in ceiling according to cutout size of recessed frame.

② Fix 2pcs of clips to one side of frame by screw, then insert the frame into ceiling.

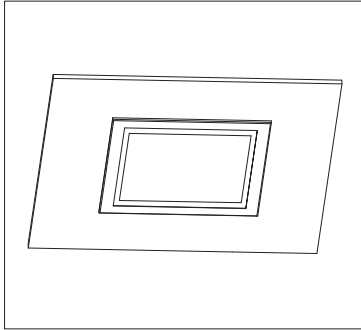
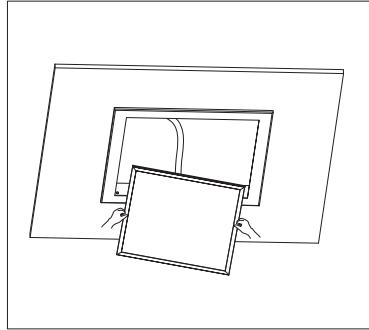
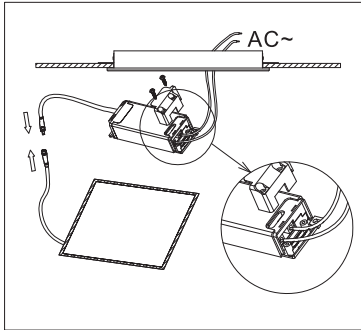
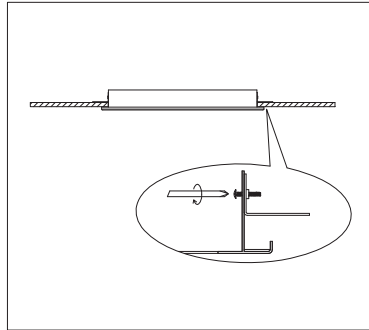


③ Fasten the frame into ceiling by screwing another 2 pcs clips on the other side of frame.

④ Feed the main AC wire in terminal block respectively.

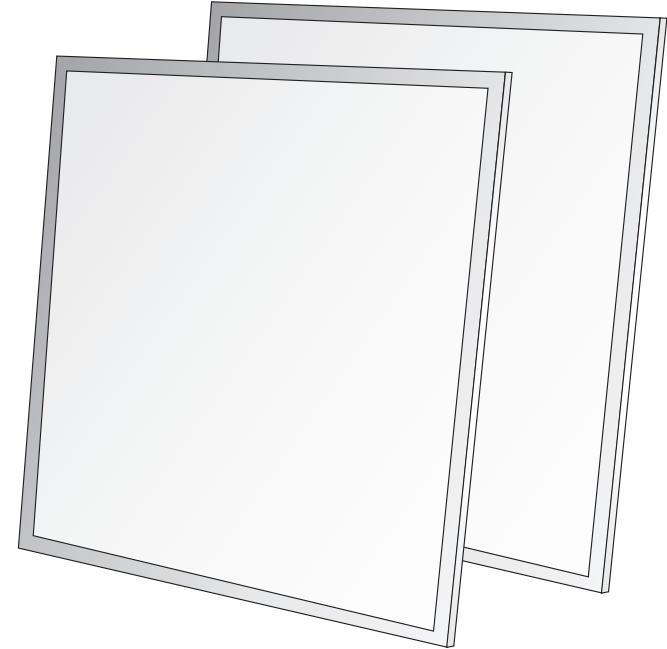
⑤ Fix led panel light into the recessed frame.

⑥ Installation complete



LUMiLife

LED PANEL LIGHT INSTRUCTION MANUAL



Warning:

Input wire diameter $\geq 0.75\text{mm}^2$;
Product modification and improper installation are not valid for warranty!

Note: If the diffused material LGP is constructed from quality PS material, while discoloration of LED panel is easily generated with exposure to sunlight/UV. In general installation area, places without sunlight/UV, PS is strong enough to support. However, sunlight/UV can cause discoloration, under this circumstance, we would recommend the use of LED panel made of PMMA material. Please note warranty does not cover discoloration of diffused material.

LED PANEL LIGHT INSTRUCTION MANUAL

