



MASTER LEDspot LV AR111

MASTER LEDspotLV AR111 D 15-75W 930 40D

Delivering a warm, halogen-like accent beam, MASTER LEDspot LV AR111 is an ideal retrofit solution for spot and general lighting applications in the hospitality and retail industry. It is particularly suitable for general lighting where the light is on all the time, such as creative accent lighting applications in shops, restaurants, hotels, and especially for galleries, exhibitions and museums. The robustly designed MASTER LEDspot LV AR111 offers various beam angles for a clearly defined beam spread. There is no UV or IR in the beam, making it suitable for illuminating heat-sensitive objects (food, organic materials, paintings, etc.). The patented intelligent driver enables broad compatibility with existing electromagnetic and electronic halogen transformers. MASTER LEDspot LV AR111 delivers huge energy savings and minimises maintenance cost without any reduction in brightness.

Product data

• General Characteristics

Cap-Base	GX53
Bulb	AR111
Rated Lifetime	40000 hr
Nominal Lifetime hours	40000 hr

• Light Technical Characteristics

Colour Code	930
Colour Designation	White
Beam Angle	40 D
Beam Description	40D [Medium beam]
Correlated Colour Temperature	3000 K
Luminous Flux	840 Lm
Luminous Intensity	1450 cd
Colour rendering index	90
Luminous Efficacy Lamp	56.00 Lm/W
Colour Temperature	3000 K [CCT 3000K]
Rated Luminous Flux	840 Lm
LLMF - end nominal lifetime	70 %
Colour consistency	6 steps
Rated Beam Angle	40 D
Luminous flux in 90° cone	760 Lm

• Electrical Characteristics

Wattage	15 W
Wattage Technical	15 W
Voltage	12 V
Power Factor	0.7 -
Lamp Current mA	1800 mA

Dimmable	Yes
Wattage Equivalent	75 W
Rated Wattage	15 W
Starting Time	0.5 (max) s
Warm-up Time to 60% Light Outp	instant full light
Suitable for accent lighting	Yes

• Temperature Characteristics

T-case maximum	74 C
----------------	------

• Environmental characteristics

Energy Efficiency Label (EEL)	A
Energy consumption kWh/1000h	17 kWh

• Measuring Conditions

Switching cycle	50000X
-----------------	--------

• Product Dimensions

Overall Length C	62.27 mm
Diameter D	111 mm

• Product Data

Order code	515020 00
Full product code	871869651502000
Full product name	MASTER LEDspotLV AR111 D 15-75W 930 40D
Order product name	MAS LEDspotLV AR111 D 15-75W 930 40D



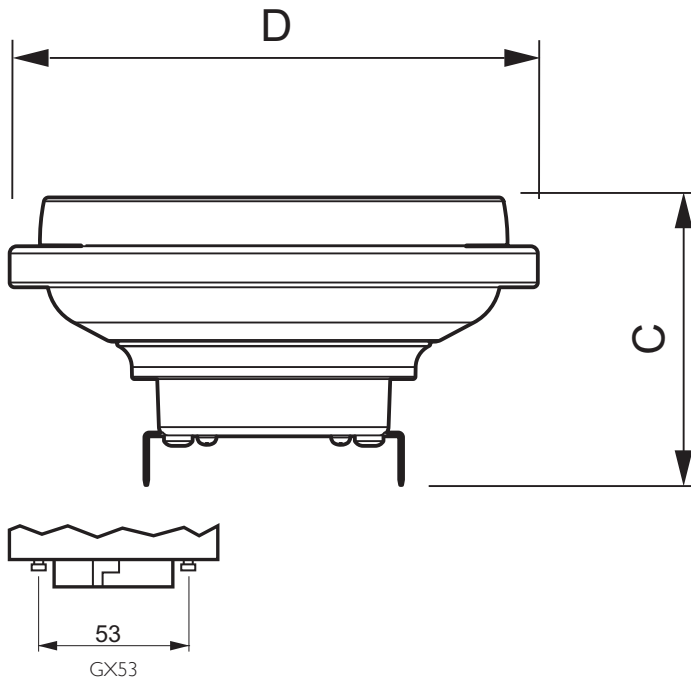
PHILIPS

MASTER LEDspot LV AR111

Pieces per pack 1
Packing configuration 6
Packs per outerbox 6
Bar code on pack - EAN1 8718696515020

Bar code on outerbox - EAN3 8718696515037
Logistic code(s) - 12NC 929001170502
Net weight per piece 0.360 kg

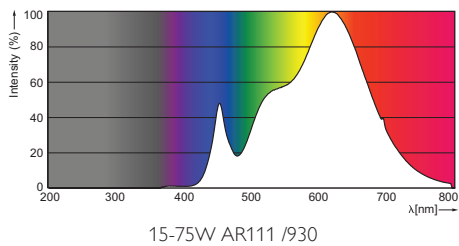
Dimensional drawing



MASTER LEDspotLV AR111 D 15-75W 930 40D

Product	C (Norm)	D (Norm)
LED D 15-75W 930 AR111 40D	62.27	111

Photometric data



© 2015 Koninklijke Philips N.V. (Royal Philips)
All rights reserved.

Specifications are subject to change without notice. Trademarks are the property of Koninklijke Philips N.V. (Royal Philips) or their respective owners.

www.philips.com/lighting

2015, October 17
data subject to change