

MASTER LEDspot MV Value

MASTER LEDspotMV D 5.4-50W GU10 927 40D

Delivering a warm, halogen-like accent beam, MASTER LEDspot MV is a perfect fit for spot lighting (track, corridors, lift lobbies, display cases and cabinets) in the hospitality industry. It is particularly suitable to public areas where the light is on 24/7, such as lobbies, corridors, stairwells. MASTER LEDspot MV delivers huge energy savings and minimises maintenance cost without any compromise on brightness, enabling hospitality owners to achieve a return on their investment within one year. These LEDspots are compatible with most existing fixtures with a GU10 holder and designed as a retrofit replacement for halogen or incandescent spots. The dimmable versions drive further efficiencies, while helping to create the desired atmosphere. For environments where the right atmosphere needs to be created (e.g. bars and restaurants), the "DimTone" feature could be useful. This is a LED feature that creates a warmer tone once light is dimmed down to lower intensities.

Product data

• General Characteristics

Cap-Base	GU10
Rated Lifetime	50000 hr
Nominal Lifetime hours	50000 hr

• Light Technical Characteristics

Colour Code	927
Colour Designation	Warm White
Beam Angle	40 D
Beam Description	40D [Medium beam]
Correlated Colour Temperature	2700 K
Luminous Flux	402 Lm
Luminous Intensity	800 cd
Colour rendering index	90
Luminous Efficacy Lamp	70.00 Lm/W
Colour Temperature	2700 K [CCT 2700K]
Rated Luminous Flux	402 Lm
LLMF - end nominal lifetime	70 %
Colour consistency	6 steps
Rated Beam Angle	40 D
Luminous flux in 90° cone	378 Lm

• Electrical Characteristics

Wattage	5.4 W
Voltage	220-240 V
Line Frequency	50-60 Hz
Power Factor	0.5 -
Lamp Current mA	28 mA

Dimmable	Yes
Wattage Equivalent	50 W
Rated Wattage	5.4 W
Starting Time	0.5 (max) s
Warm-up Time to 60% Light Outp	instant full light
Suitable for accent lighting	Yes

• Temperature Characteristics

T-case maximum	84 C
----------------	------

• Environmental characteristics

Energy Efficiency Label (EEL)	A+
Energy consumption kWh/1000h	6 kWh

• Measuring Conditions

Switching cycle	50000X
-----------------	--------

• Product Dimensions

Overall Length C	57 mm
Diameter D	50 mm

• Product Data

Order code	457177 00
Full product code	871869645717700
Full product name	MASTER LEDspotMV D 5.4-50W GU10 927 40D



PHILIPS

MASTER LEDspot MV Value

Order product name MAS LEDspotMV D 5.4-50W GU10
927 40D
Pieces per pack 1
Packing configuration 10
Packs per outerbox 10
Bar code on pack -
EAN1 8718696457177

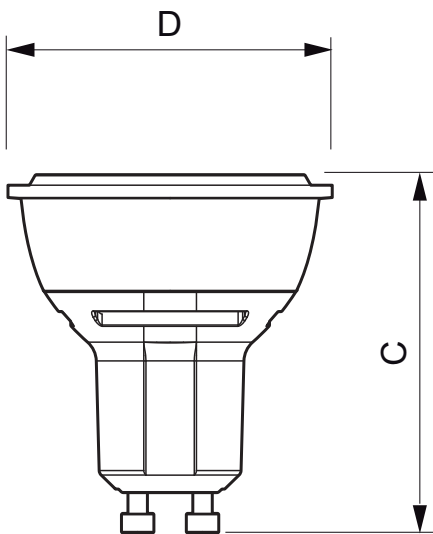
Bar code on 8718696457184
outerbox - EAN3
Logistic code(s) - 929001138702
12NC
Net weight per piece 0.036 kg

Warnings and Safety

- Operating temperature range is between -20° C and 45° C ambient

- Only to apply in dry or damp locations and most of open fixtures with lamp-holders that offer sufficient space (10 mm free air space)
- Not intended for use with emergency light fixtures or exit lights

Dimensional drawing



MASTER LEDspotMV D 5.4-50W GU10 927 40D

Product	C (Norm)	C1 (Max)	D (Norm)	D1 (Norm)
LED D 5.4-50W GU10 927 40D	57	-	50	-



© 2015 Koninklijke Philips N.V. (Royal Philips)
All rights reserved.

Specifications are subject to change without notice. Trademarks are the property of Koninklijke Philips N.V. (Royal Philips) or their respective owners.

www.philips.com/lighting

2015, July 24
data subject to change