



MASTER VALUE LEDs pot LV



MASTER LED SPOT VLE D 7.5-50W MR16 930 36D

Philips MASTER VALUE MR16 is the series of Low Voltage (12 VAC) Halogen MR16 replacements. Not only does it employ Philips' patented solution to guarantee the broadest possible compatibility with standard 12 V Halogen electronic transformers, it also delivers beam intensity which is equivalent to the 50 W Philips Halogen MR16 lamps. The form-factor of Philips MASTER Value LED MR16 guarantees a 100% form on the back-side of the lamp (exact fit with Halogen lamps.)

Warnings and Safety

- Operating temperature range is between -20° C and 45° C ambient
- Only to apply in dry or damp locations and most of open fixtures with lamp-holders that offer sufficient space (10 mm free air space)
- Not intended for use with emergency light fixtures or exit lights

Product data

General Information		Correlated Colour Temperature (Nom)	
Cap base	GU5.3 [GU5.3]	Correlated Colour Temperature (Nom)	3000 K
EU RoHS compliant	Yes	Luminous efficacy (rated) (nom.)	84.00 lm/W
Nominal lifetime (nom.)	25000 h	Colour consistency	<6
Switching cycle	50,000X	Colour rendering index (nom.)	90
	Narrow Cone	LLMF at end of nominal lifetime (nom.)	70 %
		Luminous flux in 90° cone (rated)	630 lm
Light Technical		Operating and Electrical	
Colour Code	930 [CCT of 3,000 K]	Input frequency	- Hz
Beam Angle (Nom)	36 °	Power (Rated) (Nom)	7.5 W
Luminous flux (nom.)	630 lm	Lamp current (nom.)	660 mA
Luminous intensity (nom.)	1600 cd	Wattage equivalent	50 W
Colour designation	White (WH)	Starting time (nom.)	0.5 s

MASTER VALUE LEDspot LV

Warm-up time to 60% light (nom.)	0.5 s
Power factor (nom.)	0.7
Voltage (Nom)	ac electronic 12 V

Temperature

T-Case maximum (nom.)	95 °C
-----------------------	-------

Controls and Dimming

Dimmable	Only with specific dimmers
----------	----------------------------

Mechanical and Housing

Bulb shape	MR16 [2inch/50mm]
------------	--------------------

Approval and Application

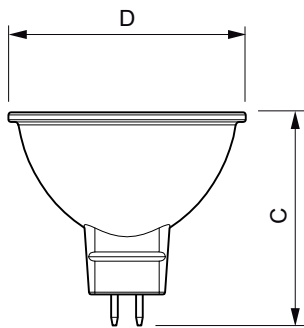
Energy Efficiency Class	F
Suitable for accent lighting	Yes

Energy consumption kWh/1,000 hours	8 kWh
	453181

Product Data

Full product code	871951430734600
Order product name	MASTER LED SPOT VLE D 7.5-50W MR16 930 36D
EAN/UPC – product	8719514307346
Order code	30734600
SAP numerator – quantity per pack	1
Numerator – packs per outer box	10
SAP material	929002493302
SAP net weight (piece)	0.045 kg

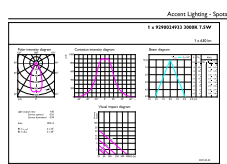
Dimensional drawing



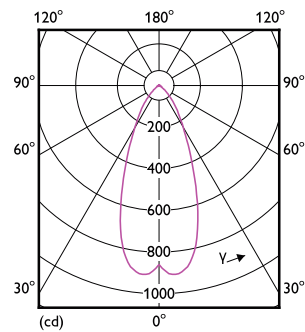
MASTER LED SPOT VLE D 7.5-50W MR16 930 36D

Product	D	C
MASTER LED SPOT VLE D 7.5-50W MR16 930 36D	50.5 mm	45.5 mm

Photometric data



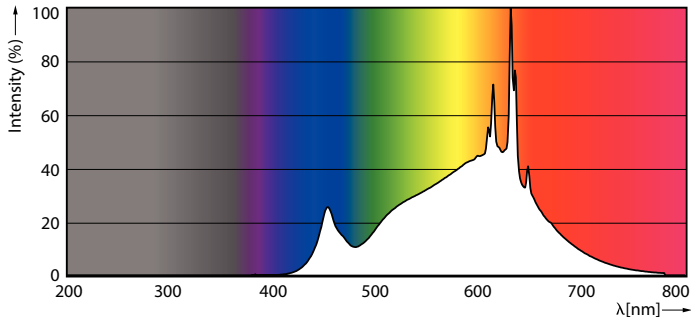
LEDspots MAS 7,5W MR16 GU5,3 930 36D



LEDspots MAS 7,5W MR16 GU5,3 930 36D

MASTER VALUE LEDspot LV

Photometric data



LEDspots MAS 7,5W MR16 GU5,3 930 36D

Lifetime



Life Expectancy Diagram



Lumen Maintenance Diagram

