



MASTER LEDspot ExpertColor LV

MASTER LED ExpertColor 6.5-35W MR16 927 24D

MASTER LEDspot LV ExpertColor creates a warm and comfortable ambience for hospitality venues, homes and restaurants. It creates such an ambience with superior lighting that has a customised spectrum, high CRI and deep dimming feature. The result? A beautiful lighting experience. What's more, the innovative, trimless lens design will suit almost any interior decor with its clean and neat look. In addition, you can take advantage of the full ExpertColor family, which also includes LEDspot MV and LEDspot Par lamps.

Product data

General Information	
Cap base	GU5.3 [GU5.3]
Nominal lifetime (nom.)	40000 h
Switching cycle	50000X
Technical type	6.5-35W
Light Technical	
Colour code	927
Beam Angle (Nom)	24 °
Luminous flux (nom.)	420 lm
Luminous flux (rated) (nom.)	420 lm
Luminous intensity (nom.)	2200 cd
Colour designation	Warm white (WW)
Rated beam angle	24 °
Correlated colour temperature (nom.)	2700 K
Luminous efficacy (rated) (nom.)	64.62 lm/W
Colour consistency	<3

Color rendering index (nom.)	97
LLMF at end of nominal lifetime (nom.)	70 %
Luminous Flux in 90° Cone (Rated)	420 lm
Operating and Electrical	
Power (Rated) (Nom)	6.5 W
Lamp current (nom.)	800 mA
Wattage equivalent	35 W
Starting time (nom.)	0.5 s
Warm-up time to 60% light (nom.)	0.5 s
Power factor (nom.)	0.7
Voltage (Nom)	ac electronic 12 V
Temperature	
T-Case maximum (nom.)	90 °C

MASTER LEDspot ExpertColor LV

Controls and Dimming

Dimmable	Yes
----------	-----

Approval and Application

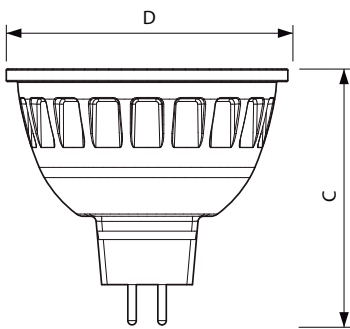
Suitable for accent lighting	Yes
Energy efficiency label (EEL)	A
Energy Consumption kWh/1000 h	8 kWh

Product Data

Full product code	871869673877100
-------------------	-----------------

Order product name	MASTER LED ExpertColor 6.5-35W MR16 927 24D
EAN/UPC – product	8718696738771
Order code	73877100
Numerator – quantity per pack	1
Numerator – packs per outer box	10
Material no. (12NC)	929001342002
Net weight (piece)	0.034 kg

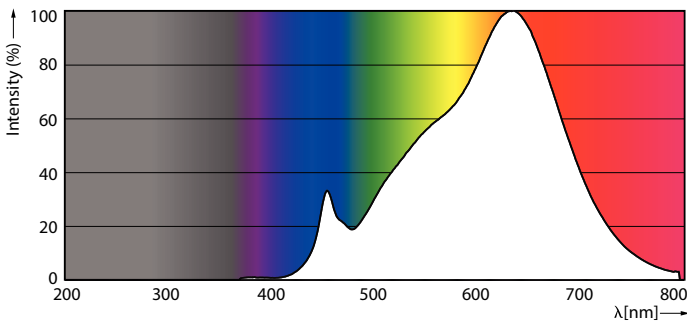
Dimensional drawing



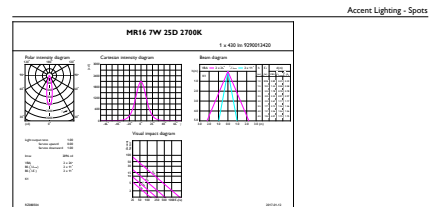
MR16 12V 6.5-42W 420lm 25D 2700K GU5.3 D

Product	D	C
MASTER LED ExpertColor 6.5-35W MR16 927 24D	51 mm	46 mm

Photometric data

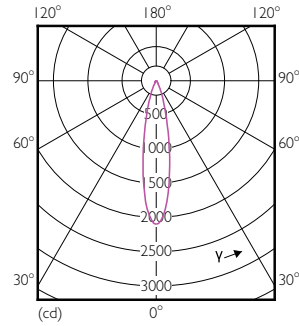


PAR38 120V 17-90W 1150lm 8D 2700K E26 D



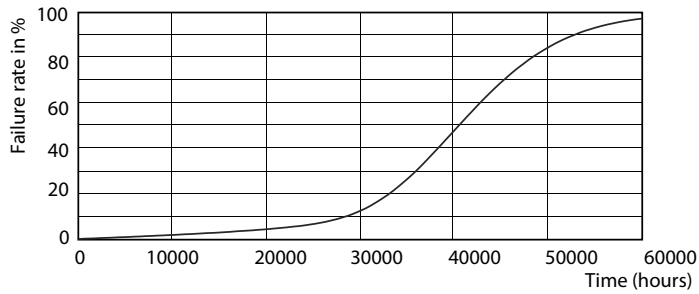
MASTER LEDspot ExpertColor LV

Photometric data

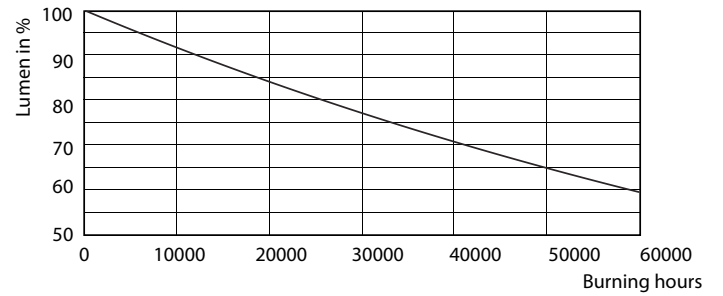


LEDSpots MR16 7W 927 430lm 25D

Lifetime



LEDspots MR16 7W



LEDspots MR16 7W

