



MASTER LEDspot PAR

MAS LEDspot CLA D 9.5-75W 840 PAR30S 25D

With its robust design and warm-white beam of light, these new-generation PAR lamps are ideal for general lighting and spot lighting in the hospitality industry. There is a choice of dimmable and non-dimmable versions. They are especially suitable for public areas such as lobbies, corridors, stairwells, where the light is always on. Compatible with existing fixtures with an E27 holder and designed for retrofit replacement of halogen/incandescent lamps, MASTER LEDspot PAR deliver huge energy savings and minimize maintenance cost without any reduction in brightness. The IP44-rated outdoor version of the PAR 38 lamp is one of the few energy-saving alternatives to incandescent PAR38 outdoor lamps available today. The dimmable PAR 20 is a perfect replacement for an incandescent spot.

Product data

General Information	
Cap base	E27 [E27]
EU RoHS compliant	Yes
Nominal lifetime (nom.)	25000 h
Switching cycle	50,000X
Technical type	9.5-75W
Light Technical	
Colour Code	840 [CCT of 4,000 K]
Beam Angle (Nom)	25°
Luminous flux (nom.)	820 lm
Luminous intensity (nom.)	2400 cd
Colour designation	Cool White (CW)
Correlated Colour Temperature (Nom)	4000 K
Luminous efficacy (rated) (nom.)	86.00 lm/W
Colour consistency	<6
Colour rendering index (nom.)	80

LLMF at end of nominal lifetime (nom.)	70 %
Luminous flux in 90° cone (rated)	820 lm
Operating and Electrical	
Input frequency	50 to 60 Hz
Power (Rated) (Nom)	9.5 W
Lamp current (nom.)	48 mA
Wattage equivalent	75 W
Starting time (nom.)	0.5 s
Warm-up time to 60% light (nom.)	0.5 s
Power factor (nom.)	0.85
Voltage (Nom)	220-240 V
Temperature	
T-Case maximum (nom.)	70 °C

MASTER LEDspot PAR

Controls and Dimming

Dimmable	Yes
----------	-----

Approval and Application

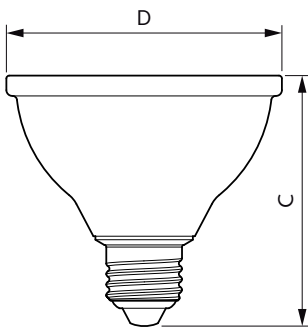
Energy efficiency label (EEL)	A+
Suitable for accent lighting	Yes
Energy consumption kWh/1,000 hours	10 kWh

Product Data

Full product code	871869976864500
-------------------	-----------------

Order product name	MAS LEDspot CLA D 9.5-75W 840 PAR30S 25D
EAN/UPC – product	8718699768645
Order code	76864500
SAP numerator – quantity per pack	1
Numerator – packs per outer box	6
Material no. (12 NC)	929002338802
SAP net weight (piece)	0.285 kg

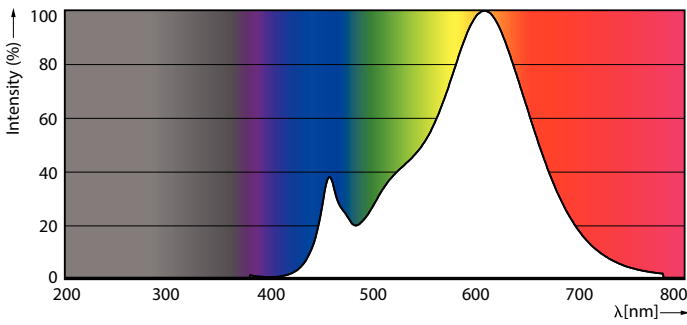
Dimensional drawing



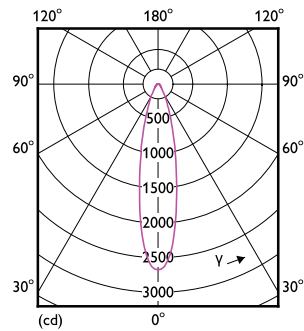
PAR30s 9.5-75W 750lm 25D 4000K E27 D

Product	D	C
MAS LEDspot CLA D 9.5-75W 840 PAR30S 25D	96 mm	88 mm

Photometric data



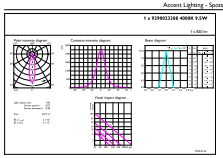
LEDspots MAS 9,5W PAR30S E27 840



LEDspots MAS 9,5W PAR30S E27 840 25D

MASTER LEDspot PAR

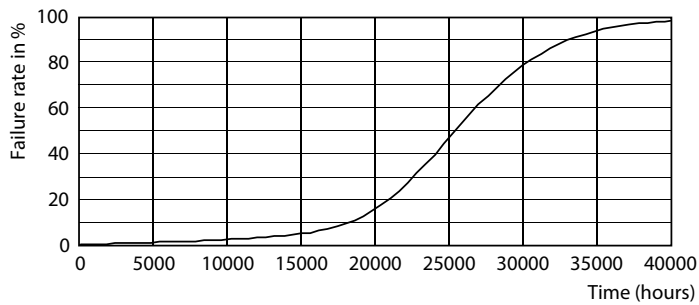
Photometric data



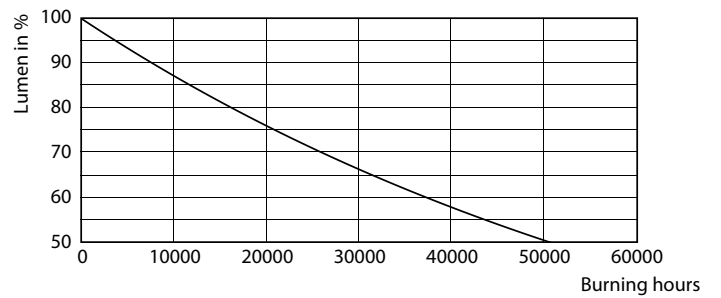
© Koninklijke Philips N.V. 2021

LEDspots MAS 9,5W PAR30S E27 840 25D

Lifetime



LEDspots LED 25K



LEDspots LMP 25K

