

LUMiLiFe

IP20 LED

SCREWLESS HINGED BATTEN



- Wattage - 20w ~ 65w
- 130 Lumens per Watt
- 4,000 Kelvin - Cool White
- For Indoor Use Only IP20
- Samsung SMD LED Chips
- Boke Isolated Driver
- Flicker Free
- Single (Standard) or Twin (High Power) Option
- Standard & Emergency Models
- Emergency - 1.5w - 2.0w Power/3 Hour Duration
- 220-240V/50-60Hz
- Power Factor - >0.9
- Working Temperature -20 °C to +45 °C
- IK08
- CRI - >80
- Aluminium PCB Heat Sink
- White Steel Housing
- Opal PC Diffuser
- Screwless Hinged Bracket
- Quick Fit Push Terminals
- Class I
- Dimensions (mm):
 - 4 FT - 1170 x 61 x 71*
 - 5 FT - 1470 x 61 x 71*
 - 6 FT - 1734 x 61 x 71*



Subject to terms & conditions

* 3 Year Guarantee on Emergency Battens

FREE lighting Design
Service Available

Please contact your local Lumilife representative for more details or email
your contact details to trade@lumilife.co.uk and we will be in touch.

LUMiLiFe

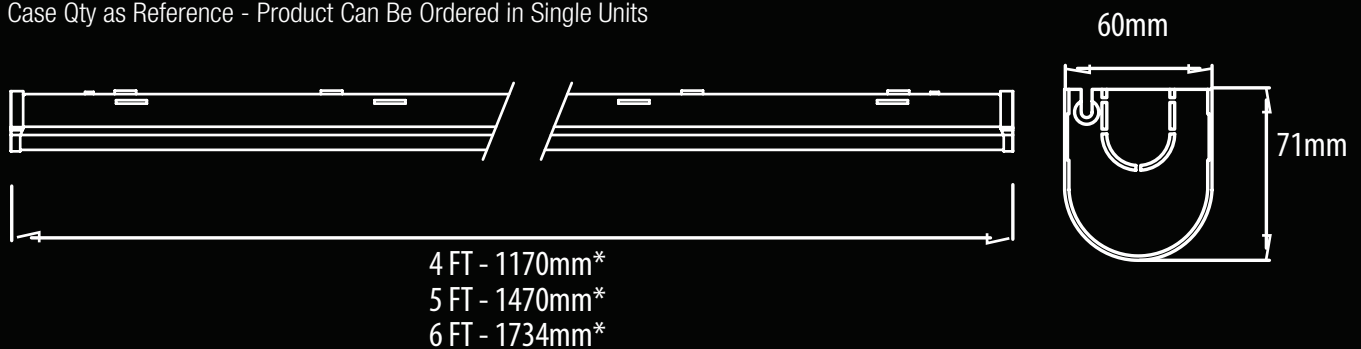
LUMiLiFe

IP20 LED

SCREWLESS HINGED BATTEN

CODE	DESCRIPTION	BOX QTY	LUMENS	WATTAGE	KELVIN
S18340	LUMISGL4FTIP2020W	1	2400	20	4000
S18341	LUMISGL5FTIP2030W	1	3600	30	4000
S18343	LUMISGL5FTIP2030WEME	1	3600	30	4000
S18342	LUMITWIN5FTIP2060W	1	7200	60	4000
S18344	LUMISGL6FTIP2040W	1	4800	40	4000
S18345	LUMITWIN6FTIP2065W	1	7800	65	4000

Case Qty as Reference - Product Can Be Ordered in Single Units



Member of
theLIA



* Approximate Measurement

FREE lighting Design
Service Available

Please contact your local Lumilife representative for more details or email
your contact details to trade@lumilife.co.uk and we will be in touch.

LUMiLiFe