

LED T8 Tube Safety and Installation Instructions

Please read these instructions thoroughly before use and retain for future reference.

- * The T8 LED lamp is made up of T8 LED tube and LED starter
- * The T8 LED lamp is used for replacing the T8 fluorescent lamps:

T8-LED-9W replaces T8 fluorescent lamp 18W

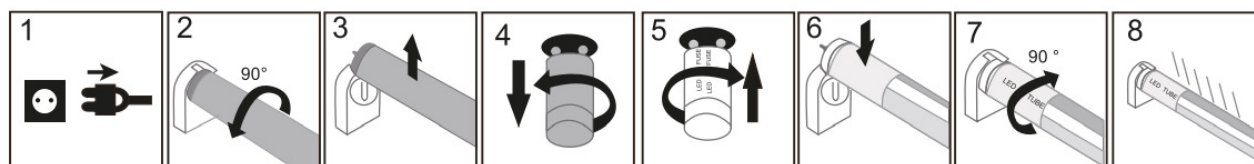
T8-LED-18W replaces T8 fluorescent lamp 36W

T8-LED-24W replaces T8 fluorescent lamp 58W

- * The T8 LED working temperature is -20 °C to 40 °C
- * No modifications of the luminaire which the LED lamp is to be used with are to be made.

This lamp may not be suitable for use in all applications where a traditional fluorescent lamp has been used. The temperature range of this lamp is more restricted. In cases of doubt regarding the suitability of the application the manufacturer of this lamp should be consulted.

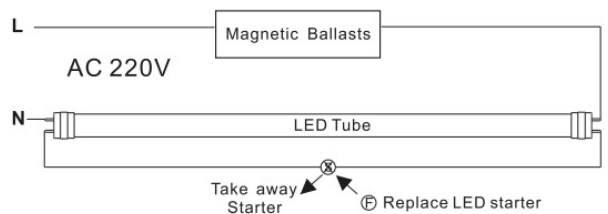
- * This lamp is designed for general lighting service (excluding for example explosive atmospheres).



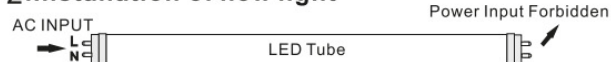
- 1) Switch off electricity.
- 2) and 3) Remove the conventional lamp.
- 4) Remove the starter.
- 5) Click the LED replacement starter into the starter holder.
- 6) Insert the LED lamp into the lampholder.
- 7) Secure the position by turning the lamp by 90 ° .
- 8) Switch on electricity and check for lamp starting.

Operating instructions: (Diagram)

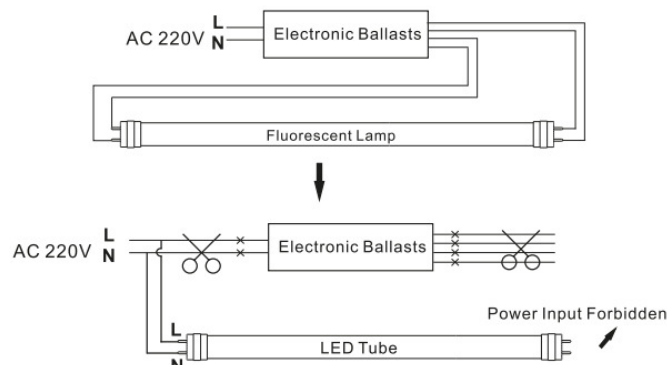
1. Installation of light replacement (Magnetic Ballasts)



2. Installation of new light



3. Installation of light replacement (Electronic Ballasts)



PS: Only professional staff is allowed to operate!