



## **KPNL3040BL2/1203-SCT**

Alden-Pro, 30W/40W Backlit LED Panel, 1200x300, CCT switchable



## **Product Overview**

The Kosnic Alden-Pro LED panels offer direct backlit lighting with wide-angle optics to achieve even light distribution across the surface of the luminaire and is an easy-to-retrofit replacement for in-lay ceiling tile fittings. The panels are power and CCT switchable so you can select from a range of colour temperatures. They are also supplied with polycarbonate diffusers and flicker-free drivers as standard, suitable for visually demanding non-transient task areas such as offices and educational premises where users require high quality lighting to maintain well-being.

# Features

Switchable CCT (3000K/4000K/6500K)

UGR <19 according to BS EN 12464

Class III panel supplied with class II flicker-free driver as standard

Polycarbonate TP(a) rated diffuser

Compatible with the Kosnic emergency modules

DALI, 1-10V and PUSH alternative drivers available

Optional suspension kit available

IP44 when ceiling recess mounted

High lumen output

Long life of 40,000h

Instant start

Negligible UV output

## Emergency Module

The LED panels are compatible with the Kosnic emergency modules, which provide power in the event of a cut in the supply and must be wired to the un-switched supply through the un-switched Live terminal. The battery will supply the panel for over 3 hours at a reduced output.

---

Unit D2 Kennetside, Bone Lane

Newbury, Berkshire

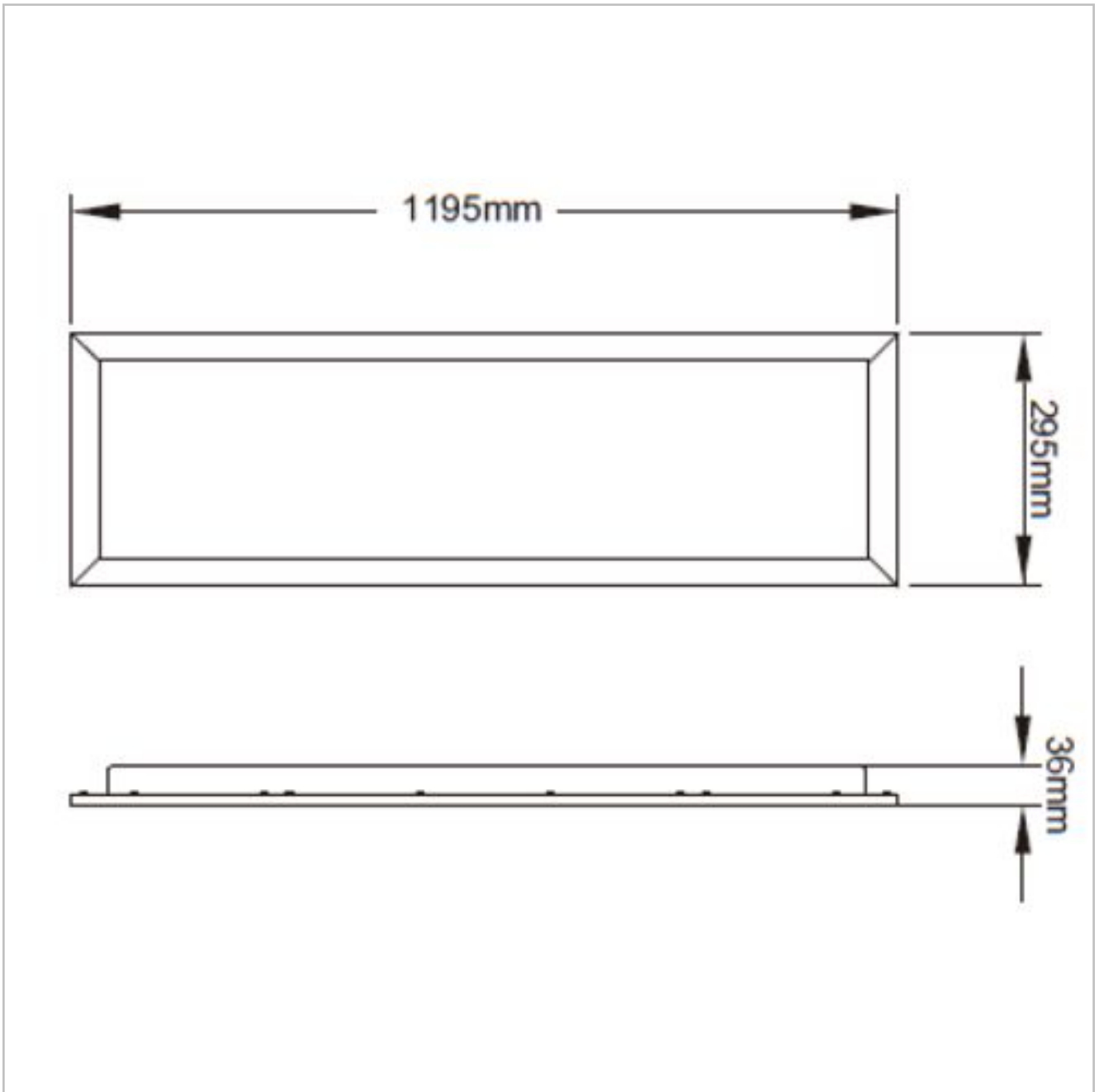
T: 01635 523 713 E: [sales@kosnic.com](mailto:sales@kosnic.com) W: <http://www.kosnic.com>

# Specifications

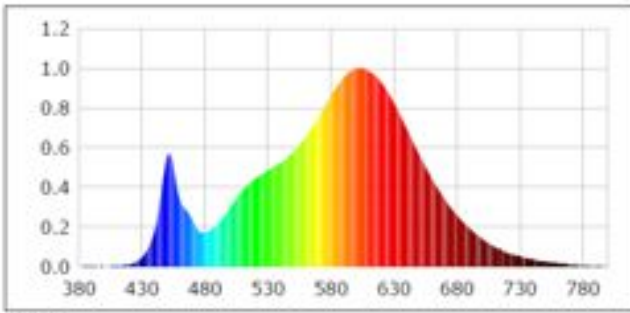
<b>Current (mA)</b>	140 / 183
<b>Voltage</b>	220-240Vac 50-60Hz
<b>Luminous Flux</b>	30W - 3000K = 3040lm, 30W - 4000K = 3240lm, 30W - 6500K = 3240lm, 40W - 3000K = 3960lm, 40W - 4000K = 4160lm, 40W - 6500K = 4160lm
<b>Switch Cycles</b>	50000
<b>Beam Angle (°)</b>	120
<b>CRI</b>	>80
<b>Dimmable</b>	DALI, 1-10V and PUSH dimmable alternative driver available
<b>Retrofit</b>	Yes
<b>Power Factor</b>	0.93 / 0.95
<b>IP Rating</b>	IP20 rear/ IP44 front
<b>Class Protection</b>	Class II driver, Class III panel
<b>Start Time (s)</b>	0.15
<b>Dimensions (mm)</b>	1195 x 295 x 36
<b>LMF at Lifetime</b>	0.75
<b>Ambient Temperature (°C)</b>	-20 to 40
<b>Compatible Emergency Module</b>	CEW03LIL(N/S)
<b>Emergency Luminous Flux (lm)</b>	500
<b>Lifetime (h)</b>	40000
<b>Power (switchable)</b>	30 / 40 W
<b>Switchable CCT</b>	3000 K / 4000 K / 6500K

Unit D2 Kennetside, Bone Lane  
Newbury, Berkshire

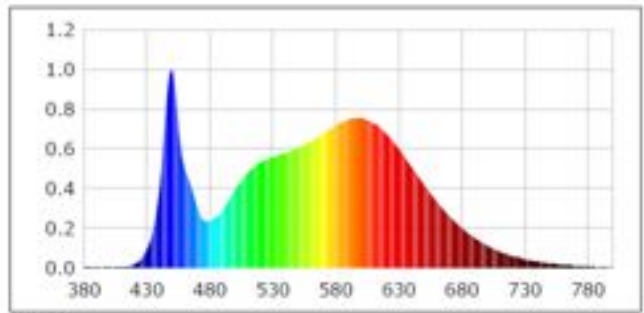
T: 01635 523 713 E: sales@kosnic.com W: <http://www.kosnic.com>



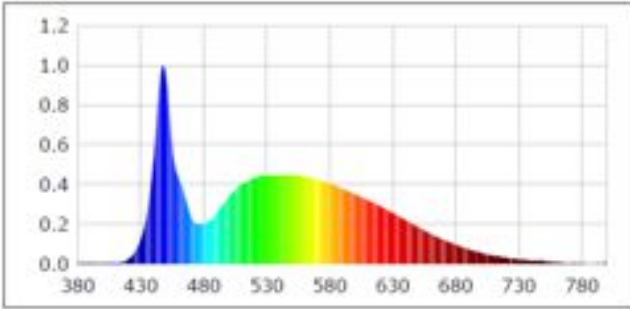
Datasheet generated from <https://onetimepim.com> last updated Thursday, March 18, 2021 11:30:48 AM



3000K



4000K



6500K