

Heathfield 30W led Advanced corn lamp range

Features In Brief:

1. Energy saving exceeding 70%
2. Even light distribution
3. Original Epistar chips
4. Instant star, no flicking, no humming
5. Effective fan assisted heat dissipation system
6. 360° light output
7. 3 year warranty



Heathfield LED Corn lamps are designed to replace the traditional sodium and metal halide products. This 30w version offer in excess of 4,000lm. The unique design of this lamp offers uniformed 360° light distribution, and an effective heat management system that incorporates an integral fan to maintain lumen stability. This lamp is a cost effective alternative to a complete fitting change, with a long lifespan and no maintenance costs this product is truly a fit and forget solution.

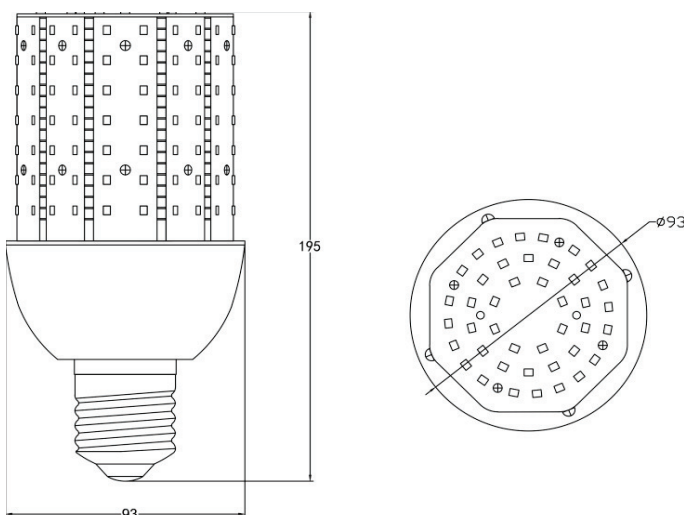
Part Number	Colour	Luminous Flux
HCORN30/6000K	6000K	4,200 lm
HCORN30/4000K	4000K	3,990 lm
HCORN30/3000K	3000K	3,780 lm

Heathfield 30W led Advanced corn lamp Features

30w Range

Item	HCORN30/6000K	HCORN30/4000K	HCORN30/3000K
Total power consumption	30W	30W	30W
Input voltage	100-300V	100-300V	100-300V
Colour	6000K	4000K	3000K
Colour temperature	Daylight	Cool white	Warm white
Life time	>35,000 hour	>35,000 hour	>35,000 hour
Operating temperature	-10°C to + 40°C	-10°C to + 40°C	-10°C to + 40°C
Dimensions	195X93Ømm	195x93Ømm	195x93Ømm
Lumen	4,200lm	3,990lm	3,780lm
Certificates	CE, RoHS, WEEE	CE, RoHS, WEEE	CE, RoHS, WEEE
Beam angle	360°	360°	360°
Cap	E27/E40	E27/E40	E27/E40
CRI	>80	>80	>80

Dimensions



Spectrophotometer test report

