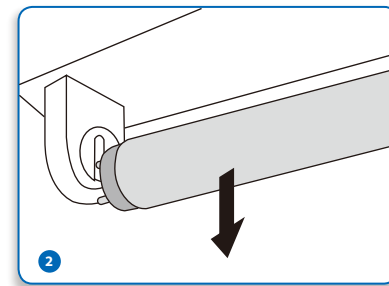
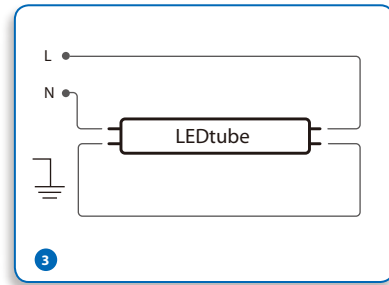


Mains Off

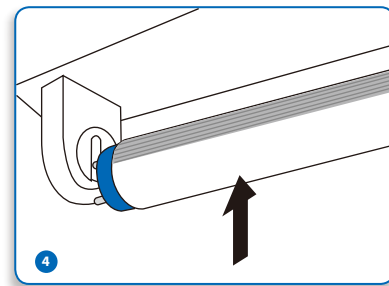


Remove all existing FLUORESCENT TUBES from luminaire

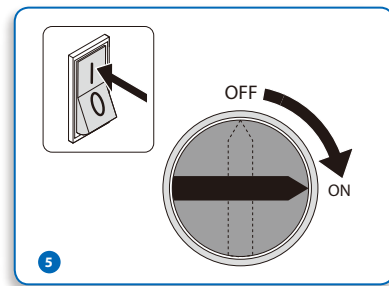


Bypass existing HF BALLAST and rewire

Diagram shown left is for one tube case
Repeat same rewiring for multiple tubes



Install MASTER LEDtube



Mains On

Wire according to the number of tubes per luminaire.

Number of tube	Wire according to diagram
1	C
2	D
3	C+D
4	D+D

Diagram C

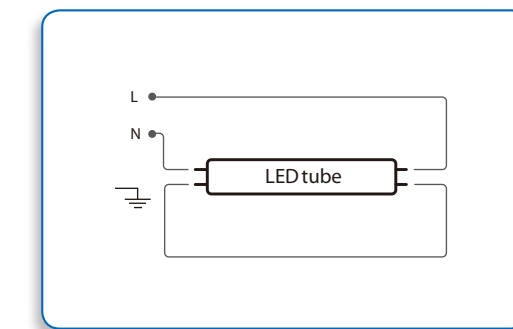
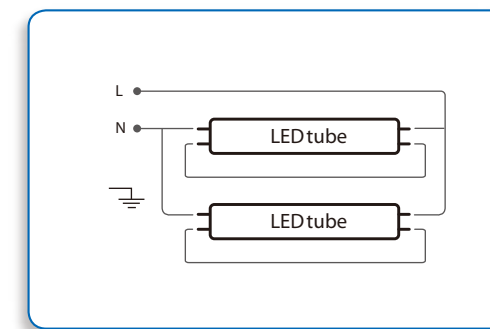


Diagram D



Packing list

- Philips MASTER LEDtube : 10 pcs
- Quick Installation Guide : 1 pcs
- EMPO50 (to replace starter) : available as accessories



Quick Installation Guide

— Philips MASTER LEDtube

Please take the time to read this quick installation guide. The guide contains important information and notes regarding the installation and operation.

IMPORTANT!

- Product is not dimmable
- Always switch off the power supply before commencing work!
- Only to apply in dry indoor usage and environments, outdoor applications requires an IP rated fixtures.
- Do not change the structure or any components of the MASTER LEDtube to ensure safety.
- Please keep this Quick Installation Guide for at least the coming ten years for future system maintenance.
- Philips MASTER LEDtube is designed to fit in standard IEC compliant G13 bi-pin lampholders.
- Please read the installation instruction very carefully and follow the wiring instructions to ensure safety.
- Philips MASTER LEDtube must be installed by a professional electrician in accordance with the relevant electrical codes.
- Toute opération de remplacement d'un Tube fluorescent T8 par un MASTER LEDtube doit être effectuée par un installateur électricien professionnel en respectant les prescriptions du présent Guide d'Installation et les règles électriques et électromagnétiques en vigueur
- Philips MASTER LEDtube debe ser instalado por un electricista profesional de acuerdo con los códigos eléctricos relevantes de iluminación.
- Die Neuverdrahtung (Umbau) einer Leuchte muss durch einen autorisierten Fachmann ausgeführt werden. Alle einschlägigen Vorschriften sind einzuhalten. Philips MASTER LEDtube GA ist nicht für Gleichspannung geeignet.

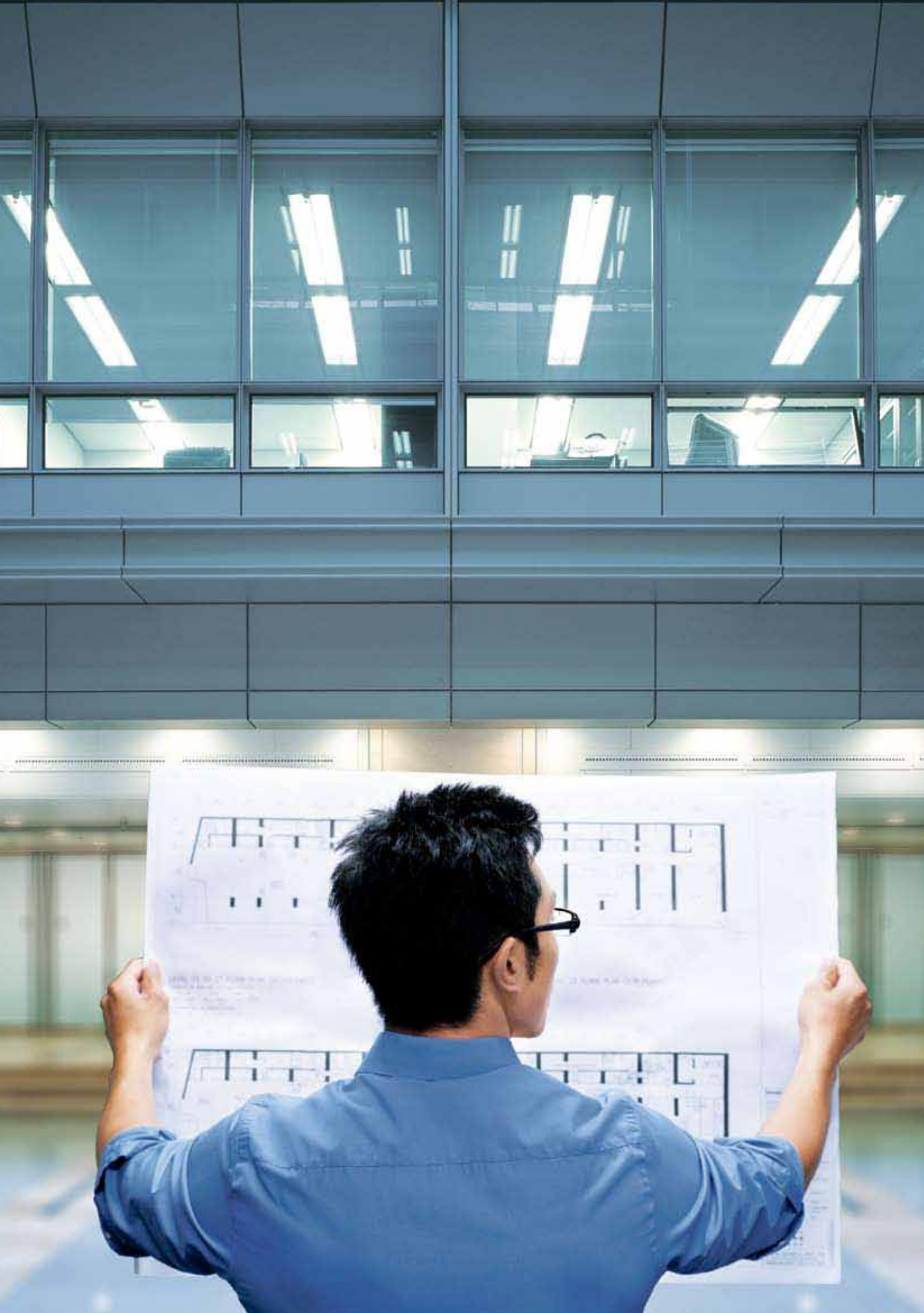
DISCLAIMER:
Philips Lighting disclaims liability for any direct, indirect or incidental damages in case of installation performed either not according to this guide or not performed by a professional electrician

Weitere Informationen finden Sie unter:
www.philips.de/master-led-lampen



© 2011 Philips Lighting
All rights reserved. Reproduction in whole or in part is prohibited without the prior written consent of the copyright owner. The information presented in this document does not form part of any quotation or contract, is believed to be accurate and reliable and may be changed without notice. No liability will be accepted by the publisher for any consequence of its use. Publication thereof does not convey nor imply any license under patent or other industrial or intellectual property rights.

01/2011
www.philips.com



EM ballast based system *

Check whether it concerns replacement on an EM (Electro Magnetic) ballast based system or HF (High Frequency electronic) ballast based system.

For new built luminaires follow installation instruction section 'New built luminaires'.

Incorrect installation or wiring may cause product failure, or other issues!

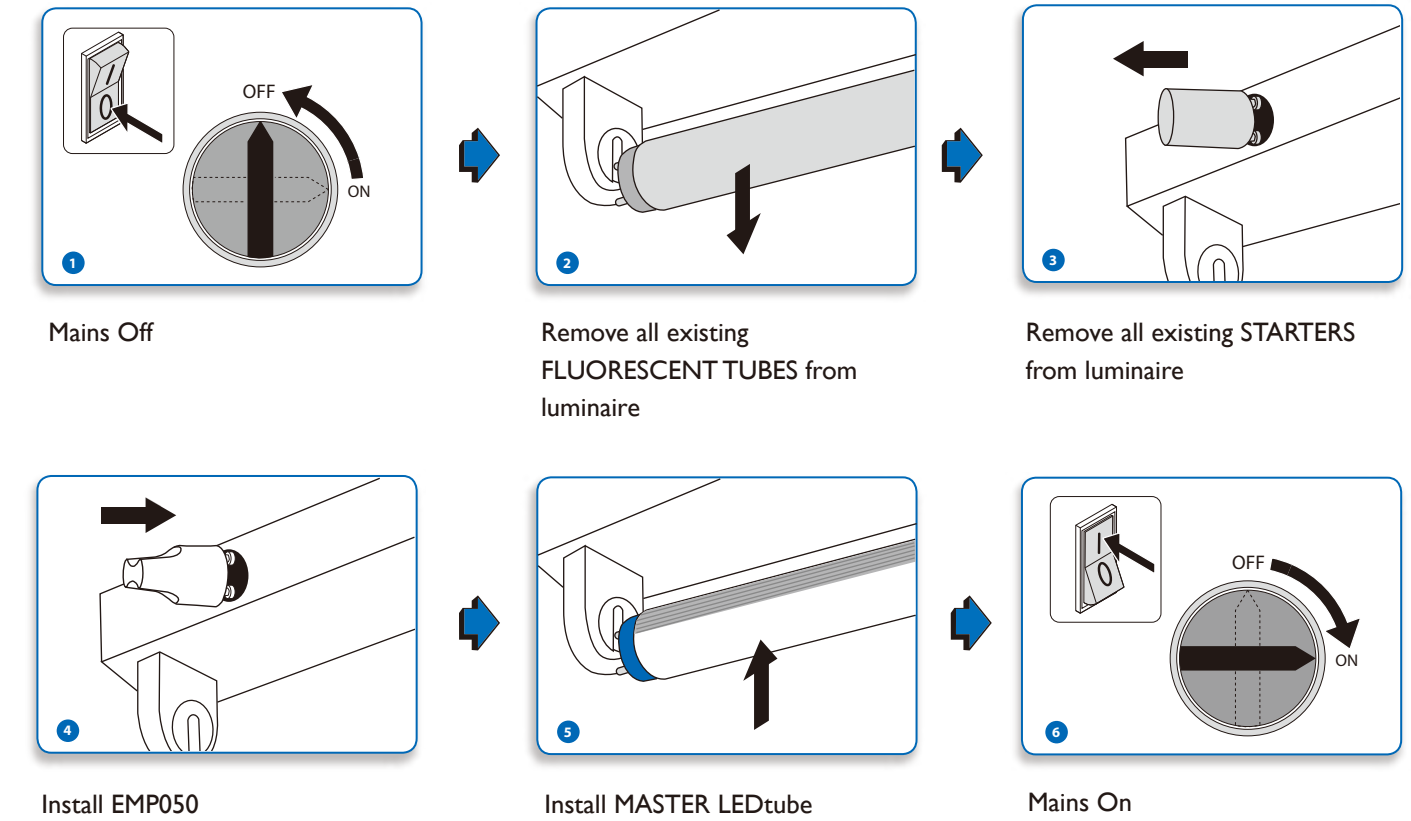
Please choose right installation steps!



Remark:

Due to the directional light generation of LEDs, in contrast to all around of conventional fluorescent tubes. The lamp holders must be installed in proper position to make sure light is generated right to the targeted area.

Applicable for 900, 1200 and 1500mm MASTER LEDtube



* For non-IEC compliant ballast, bypass ballast between step ① and ②.

Applicable for 600mm MASTER LEDtube

Number of tubes per luminaire	Number of EM ballast per luminaire	Rewiring or retrofit according diagram
1	1	A
2	1	B
3	3	A
4	2	B+B

