



Tiltable Downlight 5.5w 450lm



Product Overview

- 5.5 Watt
- 82 Lumens per Watt
- 450 Lumens
- Cool White 4,000K
- 220 - 240V~50Hz
- PF = 0.5
- White, Chrome, Brushed Chrome Finish Trim
- Tiltable
- Aluminium & Plastic Construction
- Cut Out Size - 68mm
- Dimensions (Per Light) mm: 80(h) x 58(d)**

Specifications – K5 Downlight

SKU	S12049	S11964	S11965
Trim	White	Chrome	Brushed Chrome
Nominal Power (W)	5.5	5.5	5.5
Voltage	220-240Vac 50-60Hz	220-240Vac 50-60Hz	220-240Vac 50-60Hz
LED Driver Current (mA)	110	110	110
Nominal Luminous Flux (lm)	450	450	450
CCT (K)	4000K Cool White	4000K Cool White	4000K Cool White
Nominal Lifetime (h)	25000	25000	25000
Dimmable	No	No	No
Switching Cycles	25000	25000	25000
Warm-up time to 60% (S)	0.10	0.10	0.10
Cut-out	68	68	68
Depth (mm)	58	58	58
Diameter (mm)	80	80	80
Clean-up Instructions	See website	See website	See website
Rated Power (W)	5.5	5.5	5.5
Rated Luminous Flux (lm)	450	450	450
Rated Lifetime (h)	25000	25000	25000
Rated Peak Candelas (cd)	1200	1200	1200
Nominal Lifetime	25000	25000	25000
CRI	80	80	80
IP	20	20	20
Fire-rated	No	No	No
Start Time (s)	0.10	0.10	0.10
Ambient Temperature Range (°C)	-20 to 40	-20 to 40	-20 to 40

Specifications – K5 Downlight

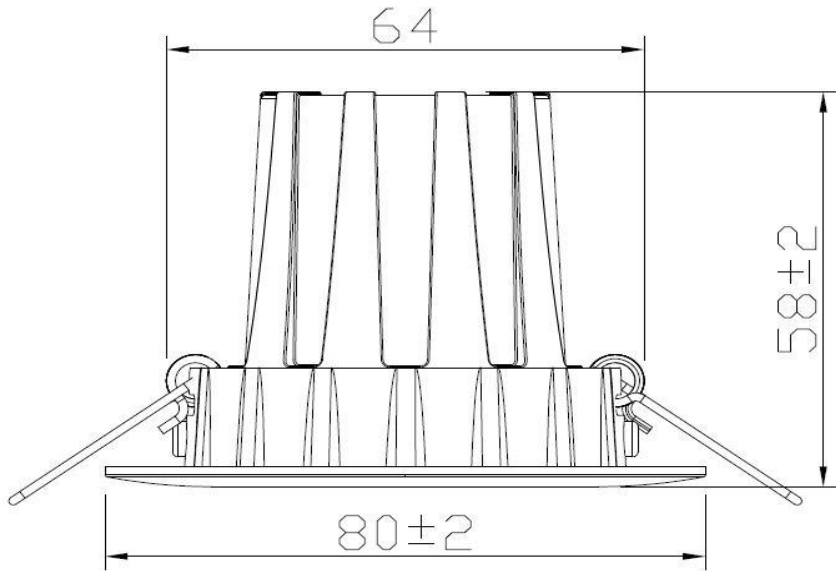
Energy Class	A+	A+	A+
Energy Consumption (kWh/1000h)	5.5 (5.5)*	5.5 (5.5)*	5.5 (5.5)*

* The kWh/1000h value published on the energy label is required to be rounded up to an integer according to the EU implementing directive on Energy Labelling. The value to 2 decimal places is given for reference.

Specifications – K5 Downlight

Voltage	220-240Vac 50-60Hz	220-240Vac 50-60Hz	220-240Vac 50-60Hz
Nominal Power (W)	5.5	5.5	5.5
LED Driver Current (mA)	110	110	110
CE Mark	Yes	Yes	Yes
WEEE Mark	Yes	Yes	Yes
Batch Code	Yes	Yes	Yes

Dimensions



Tiltable Downlight 5.5w 450lm