



## YYC Product Features Introduction

YYC **PK** Other brand

### ▶ Luminance of Contrast



VS



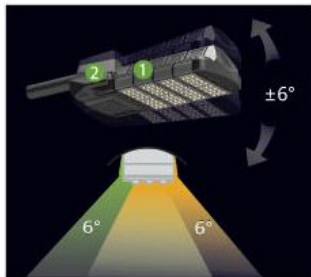
YYC

High-Luminance led with low light failure, high brightness, life up to 35000 hours.

Other brand

Low quality led leads to uminous instability and lifespan shorter

### ▶ Maintenance of contrast



The function of adjusting Angle rotation  
 1.each module angle can be adjusted at around $\pm 6^\circ$   
 2.the bracket has  $\pm 6^\circ$ for adjustment

We adopt aluminium profile, which module can be demount and assembly independently. facilitate maintenance or replacement, reduce artificial maintenance cost and relamping cost (don't need to replace the entire lamp).



Using the die casting aluminum or compression molding, except the heavy weight, it request the whole lamp demounted or replacement when maintenance, which will increased the safety risk and relamping cost.

VS



YYC

the lamp power can be combined Different power could be reached with different modules, and each single module can be taken down and replace, save cost, and easy to install



Other brand

The whole lamp molding, non-replaceable light source, and can not be maintained independently.

### Protection Contrast



VS



**YYC**

driver is isolated designed, compents contact directly waterproof , safe and reliable. potential danger existed.

**Other brand**

Drivers of other brands, inside To the metal housing, huge

### Weight Contrast



VS

**YYC**

composed of High quality aluminum alloy sheet die-casting Aluminum, heavier and Reduce the weight to its lightest.

**Other brand**

Composed of susceptible to corrosion

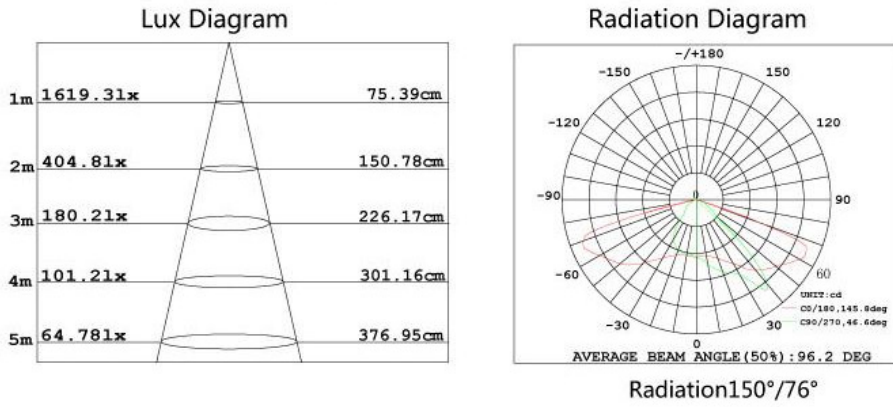
## Replacement

**90W = 150W**  
 traditional Metal Halide Street light

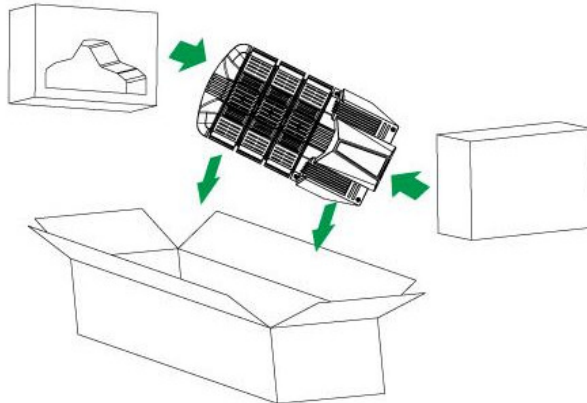
Parameter \ Brand	90w replace 150w	
	YYC 90W	traditional 150W
Beam angle	150°/76°	150°
CRI	WW80/NW80/PW80	60
Emission temperature	< 65°	> 700°
Light Decay Resistance 3000h	≤3%	≤65%
Heat dispersion		

Heat dispersion	Using ultra-thin aluminum technology and unique cooling device	A large area of heat accumulation and heavy radiator
Lifespan	35000h	10000h
Maintenance	1time/5years	1time/1years
Energy conversation calculate(10hrs/day, 0.8rmb/W)	10hx90WX365day/1000=219° X5year X0.8=876RMB	10hx150WX365day/1000=547.5° X5year X0.8=2190RMB

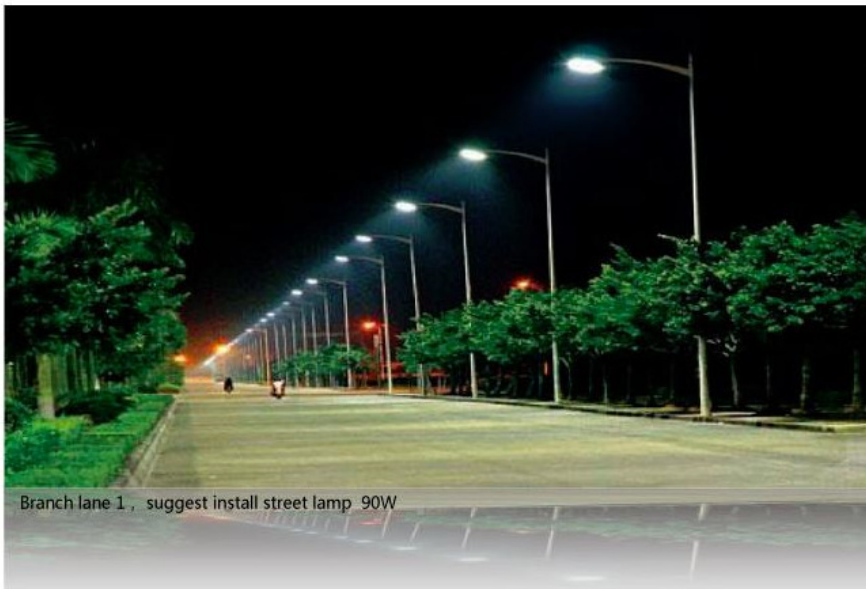
### 90Wstreet light parameter



### Packing Instructions



Item No.	Net Weight	Box			carton		
		Measurement	Gross Weight	pcs/box	Measurement	Gross Weight	pcs/box
EM091	6.4Kg				±670*W390*H275 (mm)	8.15kg	1



Branch lane 1 , suggest install street lamp 90W