

Alden LED Panel

30W Backlit LED Panel with Emergency Option



Overview

The Kosnic Alden LED panel offers direct backlit lighting with wide-angle optics to achieve even light distribution across the surface of the luminaire and is an easy-to-retrofit replacement for in-lay ceiling tile fittings. The panels are supplied with flicker-free drivers as standard and suitable for visually demanding non-transient task areas such as offices and educational premises where users require high quality lighting to maintain well-being.

Features

- Save up to 50% energy usage compared to traditional fluorescent fittings
- UGR <19 according to BS EN 12464
- Class III panel supplied with class II flicker-free driver as standard
- Polystyrene TP(a) rated diffuser
- Compatible with the Kosnic emergency modules
- DALI, 1-10V and PUSH alternative driver available
- Optional suspension kit available
- IP44 when ceiling recess mounted
- High lumen output
- Long life of 40,000h
- Instant start
- Negligible UV output

Emergency Module Compatible

The LED panel is compatible with the Kosnic emergency modules, which provide power in the event of a cut in the supply and must be wired to the un-switched supply through the un-switched Live terminal. The battery will supply the panel for over 3 hours at a reduced output.

Specifications

Order Code	KPNL30BL1-W40
Power	30 W
Voltage	220-240Vac 50-60Hz
Current	137 mA
Protection	Class II driver, Class III panel, IP20 rear/ IP44 front*
Power Factor	0.95
Luminous Flux	3200 lm
CCT	4000 K Cool White
CRI	83
Beam Angle	120 °
Lifetime	40,000 h
Dimmable	DALI, 1-10V and PUSH dimmable alternative driver available
Switching Cycles	50,000
Start Time	0.49 s
Dimensions (L x W x D)	595 mm x 595 mm x 36 mm
Retrofit	Yes
LMF at Lifetime	0.75
Ambient Temperature	-20 to 40 °C
Compatible Emergency Module	CEW03LIL(N/S)
Emergency Luminous Flux	500 lm
Driver Part Number	CYC030SNL075N
Input Voltage	180-264 Vac 50-60 Hz
Maximum Input Current	160 mA
Maximum Power	30 W
Output Voltage	30-40 Vdc
Output Current	750 mA
Protection	Class II / IP20
Dimensions (L x W x D)	138 mm x 36 mm x 29 mm
Power Factor	≥ 0.95
Ripple Current	< 5 %
Inrush Current	5 A at 100 µs
Maximum Case Temperature	75 °C
Ambient Temperature	-20 to 50 °C

* IP44 rating refers to the panel front when recess mounted in a ceiling.

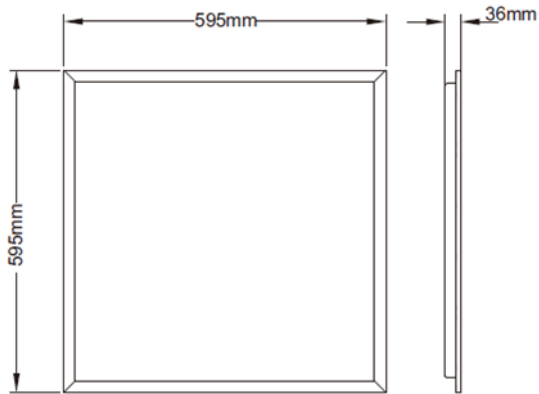
Alternative Driver Order Code

Description:	Order Code	Details:
DALI/1-10V/PUSH Dimmable Driver	CYC030TDC25-70	Set to 700 mA

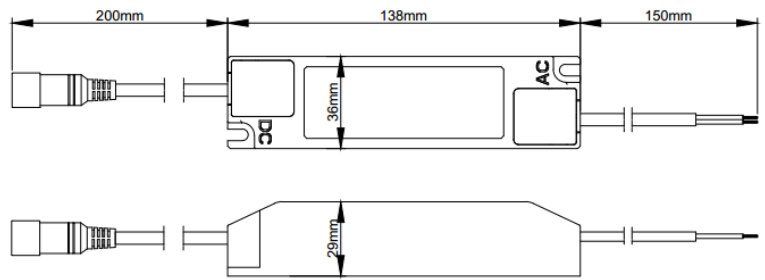
Accessories

Description:	Order Code	Details:
Emergency Module	CEW03LIL/N	Three hour rated Li-Ion emergency module
Emergency Module (Self-test)	CEW03LIL/S	Self-test three hour rated Li-Ion emergency module
Suspension Kit	KPTPNL/SUS0606	Maximum 1.3m drop.

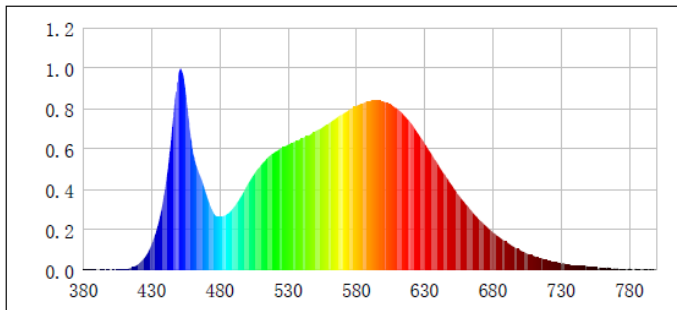
Panel Dimensions



Standard Driver Dimensions



Photometric Information



4000K

Energy Label

Energy label for LED lamps. The label indicates that the luminaire contains built-in LED lamps and that the lamps cannot be changed in the luminaire. The energy efficiency class is A++, and the label is marked as LED. The label also includes the Kosnic logo and the product code 874/2012.