



# CorePro LED PLC

## CorePro LED PLC 6.5W 840 2P G24d-2

The Philips CorePro LED PLC integrates a LED light source into a traditional fluorescent form factor. This product is the ideal solution for uplamping in general lighting applications: it meets basic lighting requirements, offers significant energy savings, and is environmentally friendly.

### Product data

#### • General Information

Cap base	G24D-2 [ G24d-2]
Main application	Industrial
Nominal lifetime (nom.)	30000 h
B50L70	30000

#### • Light Technical

Beam Angle (Nom)	120 °
Luminous flux (rated) (nom.)	650 lm
Rated beam angle	120 °
Correlated colour temperature (nom.)	4000 K
Colour consistency	6 steps
Color rendering index (nom.)	83
LLMF at end of nominal lifetime (nom.)	70 %

#### • Operating and Electrical

Input frequency	50-60 Hz
Power (Rated) (Nom)	6.5 W
Starting time (max.)	0.5 s
Warm-up time to 60% light (nom.)	instant full light
Power factor (min.)	0.9
Voltage (Nom)	220-240 V

#### • Temperature

T ambient (max.)	35 °C
T ambient (min.)	-20 °C

T storage (max.)	65 °C
T storage (min.)	-40 °C
T-Case maximum (nom.)	65 °C

#### • Controls and Dimming

Dimmable	no
----------	----

#### • Mechanical and Housing

Product length	100 mm
----------------	--------

#### • Approval and Application

Energy-saving product	Yes
Suitable for accent lighting	No
Energy efficiency label (EEL)	A+
Approval marks	CE marking RoHS compliance KEMA Keur certificate
Energy Consumption kWh/1000 h	9 kWh

#### • Product Data

Full product code	871869654129600
Order product name	CorePro LED PLC 6.5W 840 2P G24d-2
EAN/UPC – product	8718696541296
Order code	54129600
Numerator – quantity per pack	1

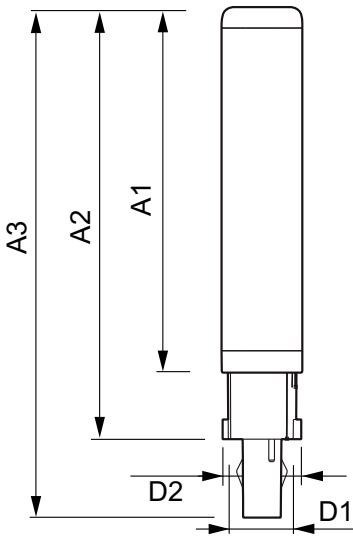
**PHILIPS**

# CorePro LED PLC

Numerator – packs 10  
per outer box

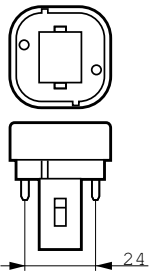
Material no. (12NC) 929001201502  
Net weight (piece) 0.077 kg

## Dimensional drawing

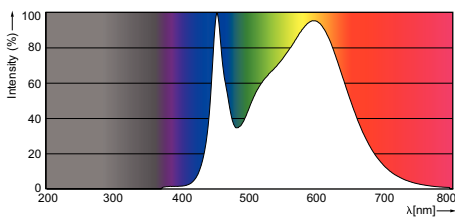


### LEDtube PLC 6.5W G24d-2/840 2P

Product	D1	D2	A1	A2	A3
CorePro LED PLC 6.5W 840 2P G24d-2	24.3 mm	28.4 mm	124.5 mm	105.3 mm	147.1 mm



## Photometric data



© 2016 Philips Lighting Holding B.V.  
All rights reserved.

Specifications are subject to change without notice. Trademarks are the property of Koninklijke Philips N.V. (Royal Philips) or their respective owners.

[www.philips.com/lighting](http://www.philips.com/lighting)

2016, August 17  
data subject to change