



CorePro LEDspot LV

CorePro LED spot ND4.4-35W MR16 827 36DUK

CorePro LEDspots are a perfect fit for spot lighting and deliver warm halogen-like light. They are compatible with most existing fixtures with MR16 GU5.3 holders and are designed as a retrofit replacement for halogen or incandescent spots. LED lamps deliver huge energy savings and minimize maintenance cost.

Product data

General Information	
Cap base	GU5.3 [GU5.3]
EU RoHS compliant	Yes
Nominal lifetime (nom.)	15000 h
Switching cycle	50,000X
Light Technical	
Colour Code	827 [CCT of 2,700 K]
Beam Angle (Nom)	36 °
Luminous flux (nom.)	345 lm
Luminous intensity (nom.)	650 cd
Colour designation	Warm white (WW)
Correlated Colour Temperature (Nom)	2700 K
Luminous efficacy (rated) (nom.)	78.00 lm/W
Colour consistency	<6
Colour rendering index (nom.)	80
LLMF at end of nominal lifetime (nom.)	70 %
Luminous flux in 90° cone (rated)	345 lm
Operating and Electrical	
Input frequency	- Hz
Power (Rated) (Nom)	4.4 W
Lamp current (nom.)	520 mA

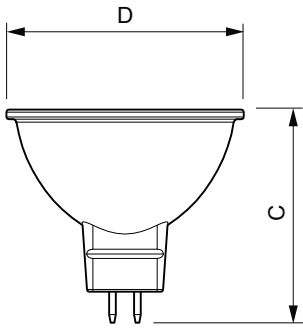
Wattage equivalent	35 W
Starting time (nom.)	0.5 s
Warm-up time to 60% light (nom.)	0.5 s
Power factor (nom.)	0.6
Voltage (Nom)	ac electronic 12 V
Temperature	
T-Case maximum (nom.)	85 °C
Controls and Dimming	
Dimmable	No
Mechanical and Housing	
Bulb shape	MR16 [2inch/50mm]
Approval and Application	
Energy Efficiency Class	F
Suitable for accent lighting	Yes
Energy consumption kWh/1,000 hours	5 kWh
	421457
Product Data	
Full product code	871951430706301

CorePro LEDspot LV

Order product name	CorePro LED spot ND4.4-35WMR16 827 36DUK
EAN/UPC – product	8719514307063
Order code	30706301
SAP numerator – quantity per pack	1
Numerator – packs per outer box	10

SAP material	929002494699
SAP net weight (piece)	0.045 kg

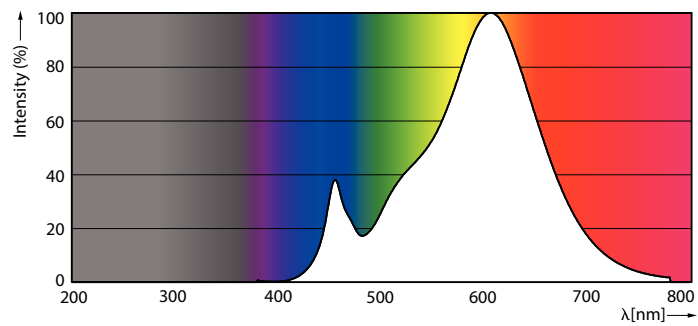
Dimensional drawing



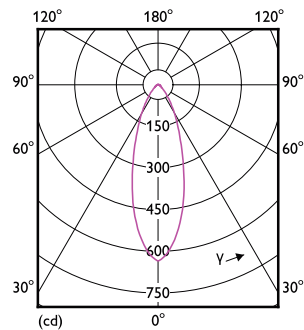
CorePro LED spot ND4.4-35WMR16 827 36DUK

Product	D	C
CorePro LED spot ND4.4-35WMR16 827 36DUK	50.5 mm	45.5 mm

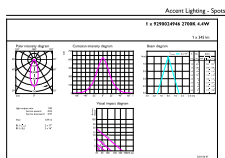
Photometric data



LEDspots Corepro SLR 2 4,4W MR16 GU5,3 827 36D-POC



LEDspots Corepro SLR 2 4,4W MR16 GU5,3 827 36D-LDD



Accum Lighting - Spot
1 x 10000000 2008-2009
Accum Lighting - Spot
1 x 10000000 2008-2009

LEDspots Corepro SLR 2 4,4W MR16 GU5,3 827 36D-ADL

CorePro LEDspot LV

Lifetime



Life Expectancy Diagram

Lumen Maintenance Diagram

