

Product Description

- Electronic halogen transformer for low voltage halogen lamps. The range includes Certaline 60 W 230-240 V, Certaline 105 W 230-240 V and Certaline 150 W 230-240 V

Features and Benefits

- Extremely compact dimensions for the 60 W model
- Optimal operation even at high ambient temperatures T_a 40°C for 60 W model and T_a 45°C for 105 W and 150 W models
- Suitable for independent operation thanks to its robust strain relief
- Compliant to IEC norms
- Possibility to dim with trailing edge dimmer (end phase cut dimmer)
- Three levels of protection: protected against over-voltage, over-temperature and short circuit
- SELV (Safety Extra Low Voltage)
- Possibility to connect two lamps for the 105 W model thanks to its double output connections. Possible to connect three lamps to 150 W and to loop through the mains thanks to its double input connection

Application

- Indoor residential use including living rooms and decorative and accent lighting
- Professional applications including retail, offices, conference rooms and exhibitions

Quality

Philips Quality implies optimum quality with regard to:

- System supplier: As manufacturer of lamps and electronic control gear, Philips ensures that, from the earliest development stage, optimum lamp/gear performance is maintained
- International standards: Philips electronic gears comply with relevant international rules and regulations

Compliances and approvals

Compliant to IEC norms

CE compliant

TUV approved

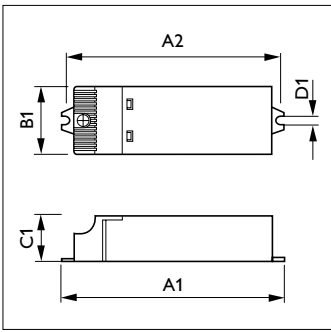
ELV

Recommended lamp page 9.4 - 9.45

www.philips.com/OEM

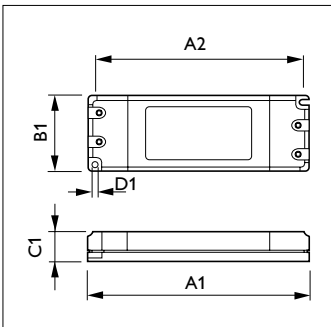


Certaline 60



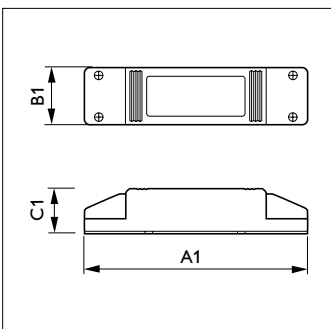
Certaline 60

Type	A1Nom	B1Nom	C1Nom
Certaline 60W 230-240V 50/60Hz	107.0	32.0	22.0



Certaline 105

Type	A1Nom	B1Nom	C1Nom
Certaline 105W 230-240V 50/60Hz	146.0	50.0	19.5



Certaline 150

Type	A1Nom	B1Nom	C1Nom
Certaline 150W 220-240V 50/60Hz	180.0	46.0	36.0



Certaline 105



Certaline 150

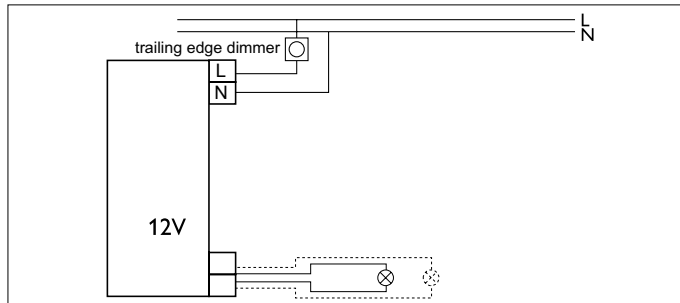
Electrical data

Type	Number of Lamps (x)	Rated Gear-Lamp Power	Line Frequency (Hz)	Line Voltage (V)
Certaline 105W 230-240V 50/60Hz	2	105	50/60	230-240
Certaline 150W 230-240V 50/60Hz	3	150	50/60	220-240
Certaline 60W 230-240V 50/60Hz	1	60	50/60	230-240

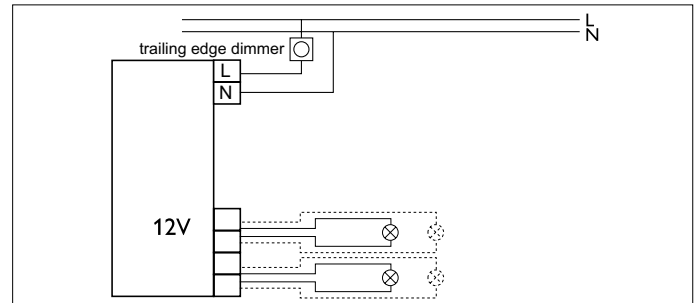
Certaline Halogen Transformers

Ordering and packing data

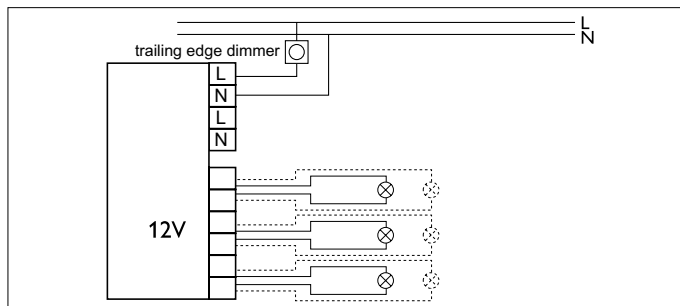
Type	EAN code 1 piece	Weight	Qty bulk packing	Dimensions bulk packing	EAN code bulk packing	EOC 8711500
Certaline 105W 230-240V 50/60Hz	8711500913807	128.5 gr	100	54 cm x 32 cm x 14 cm	8711500913814	913807 30
Certaline 150W 230-240V 50/60Hz	8711500913852	234.5 gr	50	38.5 cm x 25.5 cm x 22 cm	8711500913869	913852 30
Certaline 60W 230-240V 50/60Hz	8711500913784	65.8 gr	100	23.5 cm x 18.5 cm x 27.5 cm	8711500913791	913784 30



Certaline 60



Certaline 105



Certaline 150

