



CoreLine Highbay

BY120P G4 LED100S/840 PSD WB

840 neutral white - Power supply unit with DALI interface -
Wide beam - Gray

Following the successful introduction of the CoreLine High-bay in 2013, the upgrade to a new generation further improves the total cost of ownership and provides optionally DALI dimming for even further savings. Designed as a replacement for HPI 250/400 W luminaires, CoreLine High-bay G3 offers customers all the benefits of LED lighting – fresh light quality, longer service lifetime, reduced energy consumption and less maintenance – from a trusted manufacturer. At the same time, it delivers clear benefits for the installer too. The luminaire can be installed on the existing grid. Electrical connection is straightforward: there is no need to open the luminaire for installation or servicing. And being smaller and lighter than conventional luminaires, it is very easy to handle.

Product data

General Information			
Beam angle of light source	90 x 90 °	Glow-wire test	Temperature 650 °C, duration 30 s
Light source color	840 neutral white	Flammability mark	For mounting on normally flammable surfaces
Light source replaceable	No	CE mark	CE mark
Number of gear units	1 unit	ENEC mark	-
Driver/power unit/transformer	Power supply unit with DALI interface	Warranty period	5 years
Driver included	Yes	Constant light output	No
Optic type	Wide beam	Number of products on MCB of 16 A type B	13
Luminaire light beam spread	90° x 90°	RoHS mark	RoHS mark
Control interface	DALI	Unified glare rating CEN	24
Connection	Connection unit 3-pole	Operating and Electrical	
Cable	Cable 0.3 m with connector 3-pole	Input Voltage	220 to 240 V
Protection class IEC	Safety class I		

CoreLine Highbay

Input Frequency	50 to 60 Hz
Initial CLO power consumption	- W
Average CLO power consumption	- W
Inrush current	53 A
Inrush time	0.3 ms
Power Factor (Min)	0.95

Controls and Dimming

Dimmable	Yes
----------	-----

Mechanical and Housing

Housing Material	Aluminum
Reflector material	-
Optic material	Polycarbonate
Optical cover/lens material	Polycarbonate
Fixation material	-
Optical cover/lens finish	Clear
Overall height	445 mm
Overall diameter	385 mm
Color	Gray

Approval and Application

Ingress protection code	IP65 [Dust penetration-protected, jet-proof]
Mech. impact protection code	IK07 [2 J reinforced]

Initial Performance (IEC Compliant)

Initial luminous flux (system flux)	10000 lm
Luminous flux tolerance	+/-10%
Initial LED luminaire efficacy	137 lm/W
Init. Corr. Color Temperature	4000 K

Init. Color Rendering Index	>80
Initial chromaticity	(0.38, 0.38) SDCM <5
Initial input power	73 W
Power consumption tolerance	+/-10%

Over Time Performance (IEC Compliant)

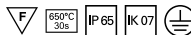
Control gear failure rate at median useful life	5 %
50000 h	
Median useful life L70B50	70000 h
Lumen maintenance at median useful life*	L80
50000 h	

Application Conditions

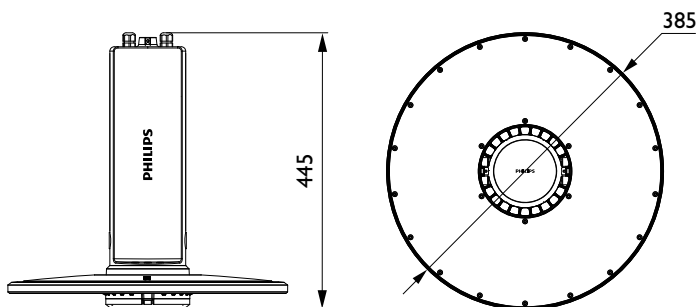
Ambient temperature range	-30 to +45 °C
Performance ambient temperature Tq	25 °C
Maximum dim level	1%
Suitable for random switching	Yes

Product Data

Full product code	871016333703600
Order product name	BY120P G4 LED100S/840 PSD WB
EAN/UPC - Product	8710163337036
Order code	911401574551
Numerator - Quantity Per Pack	1
Numerator - Packs per outer box	1
Material Nr. (12NC)	911401574551
Net Weight (Piece)	6.000 kg

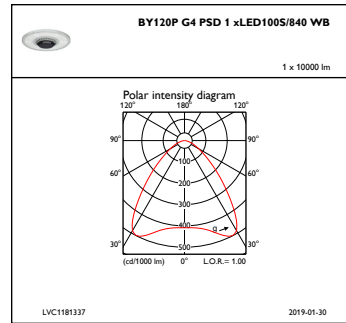
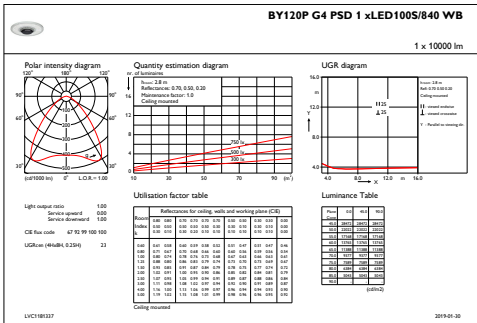


Dimensional drawing



CoreLine High-bay BY120P/BY121P

Photometric data



IFGU1_BY120PG4PSD1xLED100S840WB

IFPC1_BY120PG4PSD1xLED100S840WB

