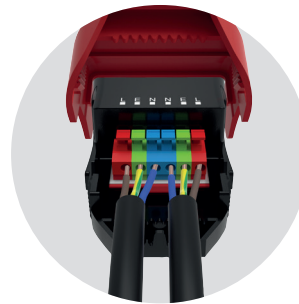
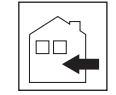


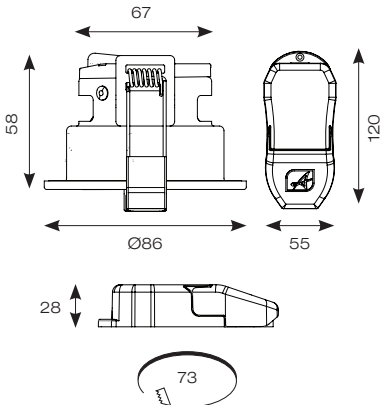
- 220-240V dimmable LED
- 4 CCT selectable fire rated gimbal
- 30° tilt angle
- Remote driver with 2x1.5mm² + CPC loop-in, loop-out colour coded push fit piano terminals provide an easy and efficient installation
- Detachable LED driver for fast fix install
- Low profile design and remote driver allows installation into shallow ceiling voids
- Fully tested for 30, 60 and 90 minute ceiling types to meet Part B of Building Regulations
- Fully tested to meet Part E (acoustic) and Part L (energy) of Building Regulations
- Wide 60° beam angle for increased light distribution
- LED lifespan L70 60,000 hours



Easy wiring access



Colour temperature select switch with 4 colour options 2700K, 3000K, 4000K and 6000K



APRILEDP/G/MW
(2700K - Warm White)



APRILEDP/G/CH
(3000K - Warm White)



APRILEDP/G/SC
(4000K - Cool White)



APRILEDP/G/BLK
(6000K - Daylight)

LED Information

Total (Watts)	7W
Lumens Delivered	
2700K	620lm
4000K	698lm
3000K	655lm
6000K	659lm
Lm/W	
2700K	89lm
4000K	100lm
3000K	94lm
6000K	94lm
Beam Angle	60°
CRI	Ra 80
CCT	
2700K	4000K
3000K	6000K
Input	230V
Hertz	50/60Hz
Operating Temp	-5°C to 25°C

Code Lamp Description

APRILEDP/G/MW	LED	7W - Warm White/ Cool White/ Daylight - Matt White
APRILEDP/G/CH	LED	7W - Warm White/ Cool White/ Daylight - Chrome
APRILEDP/G/SC	LED	7W - Warm White/ Cool White/ Daylight - Satin Chrome
APRILEDP/G/BLK	LED	7W - Warm White/ Cool White/ Daylight - Black

ACFLP/3 LED Emergency Lighting Pack