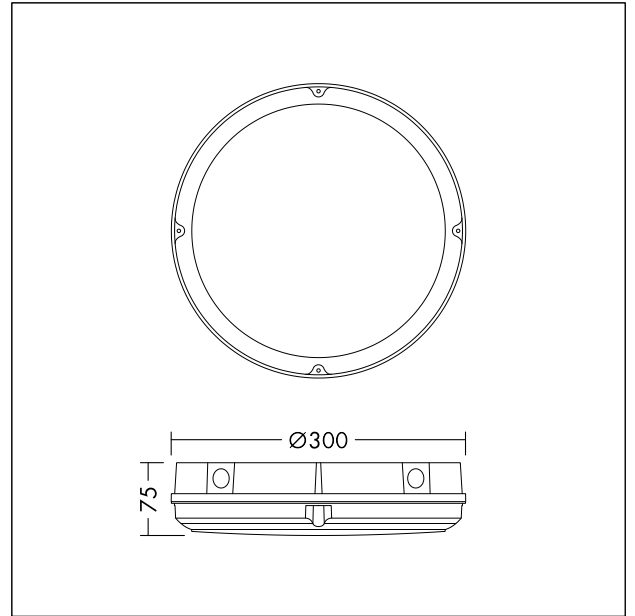


## LED Bulkhead

LED Bulkhead with homogenous light emitting surface, FLEX technology, IP65 for indoor and outdoor applications, Total luminous flux: 2200 lm, Luminaire input power: 20.5 W, Lamp efficacy: 107 lm/W Colour rendering Ra > 80, colour temperature 3000/3500/4000 K adjustable via switch. Lifetime: 50.000h L80, Chromaticity tolerance (initial MacAdam): 4, Impact strength: IK10, compatible with Plug&Play Emergency kit for 3 hour emergency conversation. Bezel and eyelid trim available as accessory. Integrated microwave presence and daylight sensor including optional corridor function with standby level 10%. BESA compatible. Body: polycarbonate, white. Diffuser: polycarbonate, opal. Input power adjustable on site by 3 step (FLEX1 - 2200 lm (20,5 W), FLEX 2 - 1800 lm (17W), FLEX3 - 1200 lm (11W)). For flex data on other colour temperatures please visit website. Dimensions: Ø300 x 75 mm, weight: 1.6 kg



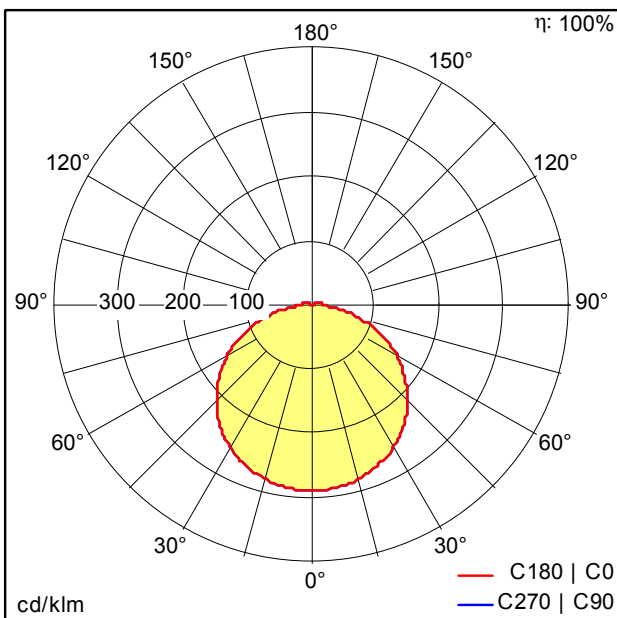
TE\_LARAVARIOFLEX\_F\_300\_BLANK\_WH\_persp.jpg



TE\_LARAVARIOFLEX\_M\_300.wmf

## Light Distribution

STD - standard



TE\_LARA\_VARIOFLEX\_300\_2200\_840\_FLEX1.idt

- Light Source: LED
- Luminaire luminous flux\*: 2200 lm
- Luminaire efficacy\*: 107 lm/W
- Colour Rendering Index min.: 80
- Correlated colour temperature: 3000-4000 Kelvin
- Chromaticity tolerance (initial MacAdam): 4
- Rated median useful life\*:  
L80 50000h at 25°C
- Ballast: 1x LED\_Con
- Luminaire input power\*: 20.5 W Power factor = 0.9
- Dimming: Fixed output
- Total harmonic distortion (THD): 25.00 %

This product contains a light source of energy efficiency class D.

All values marked with an \* are rated values. Luminous flux and connected electrical load are subject to an initial tolerance of +/- 10%. Unless stated otherwise, the values apply to an ambient temperature of 25°C.