

PopPack

THORN

96631566 POPPACK LED 6500-840 HF L1800

LED	54W PP18LO-840	IP20	IK03	⊕	CE	EAC	⚡	⊗	650°C	T _a -20 +25	
-----	----------------	------	------	---	----	-----	---	---	-------	---------------------------	--

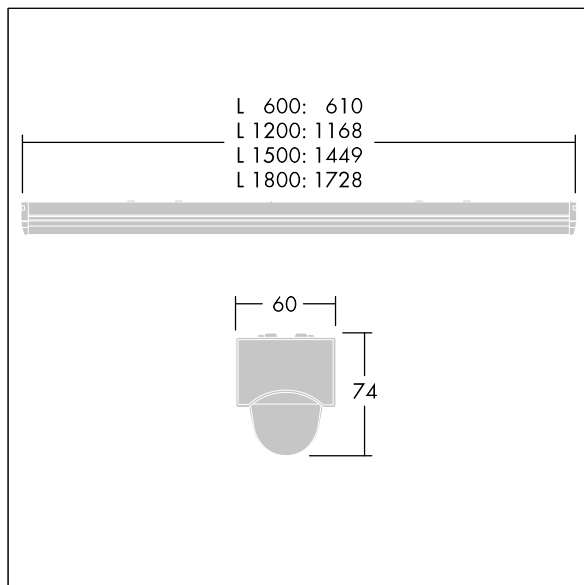
PopPack

Batten LED luminaire. Electronic, fixed output control gear.
Body: coated, formed steel, white (RAL9016). End caps:
injection moulded polycarbonate, white. Diffuser: textured
opal acrylic. Electrical connection via 3 x 2 x 2.5mm²
terminal block. Complete with 4000K LED

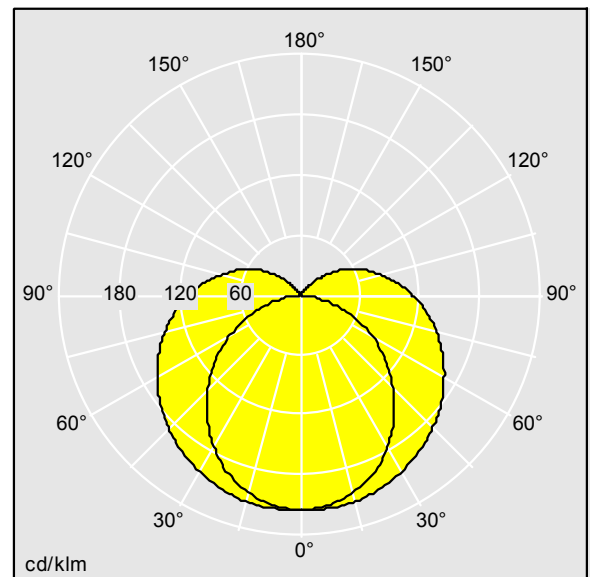
Dimensions: 1728 x 60 x 74 mm
Luminaire input power: 54 W
Luminaire luminous flux: 6800 lm
Luminaire efficacy: 126 lm/W
Weight: 1.8 kg



TLG_POPL_F_PDB_EMPTY.jpg



TLG_POPL_M_LD1.wmf



TLG_SP_0043758.ltd

Lamp position: STD - standard
Light Source: LED
Luminaire luminous flux*: 6800 lm
Luminaire efficacy*: 126 lm/W
Colour Rendering Index min.: 80
Ballast: 1 x 28003378 LC 65/200-350/210 flexCC Ip
SNC3
LOR: 1,00 ULOR: 0,17 DLOR: 0,83

Correlated colour temperature: 4000 Kelvin
Chromaticity tolerance (initial MacAdam): 3
Rated median useful life*:
L80 50000h at 25°C
Luminaire input power*: 54 W Power factor = 0.95
Dimming: FO
Maintenance category: D - Enclosed IP2X

All values marked with an * are rated values. Thorn uses tried and tested components from leading suppliers, however there may be isolated instances of technology-related failures of individual LEDs during the rated product lifetime. International standards set the tolerance in initial flux and connected load at ±10%. Unless stated otherwise, the values apply to an ambient temperature of 25°C.