

## 96631564 POPPACK LED 9000-840 HFI L1500

LED 64W PP15HO-840	IP20	IK03	⊕	CE	ERC	⚡	☀️	650°C	T <sub>a</sub> -20 +25
--------------------	------	------	---	----	-----	---	----	-------	---------------------------

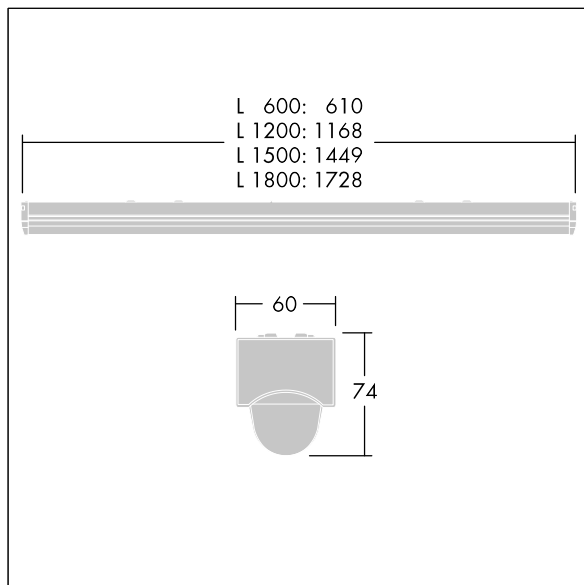
### PopPack

Batten LED luminaire. Electronic, DALI dimmable control gear. Body: coated, formed steel, (RAL9016). End caps: injection moulded polycarbonate,. Diffuser: textured opal acrylic. Electrical connection via (3 + 3) x 2 x 2.5mm<sup>2</sup> terminal block. Complete with 4000K LED

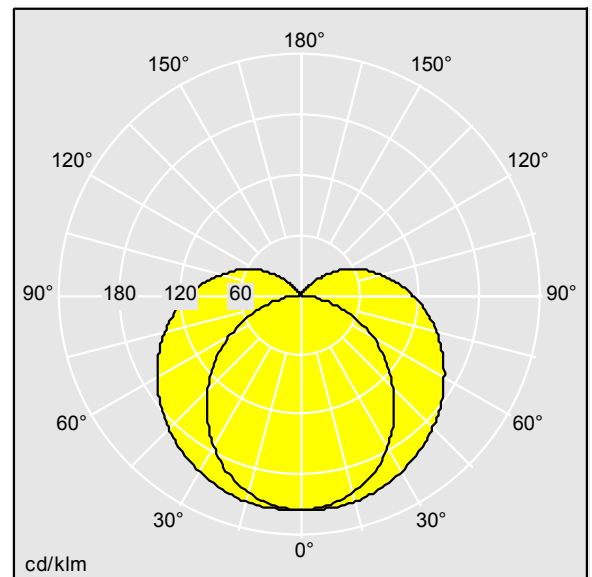
Dimensions: 1449 x 60 x 74 mm  
 Luminaire input power: 63.6 W  
 Luminaire luminous flux: 9100 lm  
 Luminaire efficacy: 143 lm/W  
 Weight: 1.7 kg



TLG\_POPL\_F\_PDB\_EMPTY.jpg



TLG\_POPL\_M\_LD1.wmf



TLG\_SP\_0043756.ltd

Lamp position: STD - standard  
 Light Source: LED  
 Luminaire luminous flux\*: 9100 lm  
 Luminaire efficacy\*: 143 lm/W  
 Colour Rendering Index min.: 80  
 Ballast: 1 x 28000657 LCA 75W 100-400mA one4all Ip PRE  
 Correlated colour temperature: 4000 Kelvin  
 LOR: 1,00 ULOR: 0,17 DLOR: 0,83

Chromaticity tolerance (initial MacAdam): 3  
 Rated median useful life\*:  
 L80 50000h at 25°C  
 Luminaire input power\*: 63.6 W Power factor = 0.99  
 Standby Power\*: 0.15 W  
 Dimming: DA2 dimmable to 1%  
 Maintenance category: D - Enclosed IP2X  
 Total harmonic distortion (THD): 7.70 %

All values marked with an \* are rated values. Thorn uses tried and tested components from leading suppliers, however there may be isolated instances of technology-related failures of individual LEDs during the rated product lifetime. International standards set the tolerance in initial flux and connected load at ±10%. Unless stated otherwise, the values apply to an ambient temperature of 25°C.