

PopPack

THORN

96631541 POPPACK LED 3000-840 HFI E3 L1200

LED 24W PP12LO-840	IP20	IK03	⊕	CE	⚡	EAC	⚙️	⚙️	⚙️	650°C	T _a 0 +25	
--------------------	------	------	---	----	---	-----	----	----	----	-------	-------------------------	--

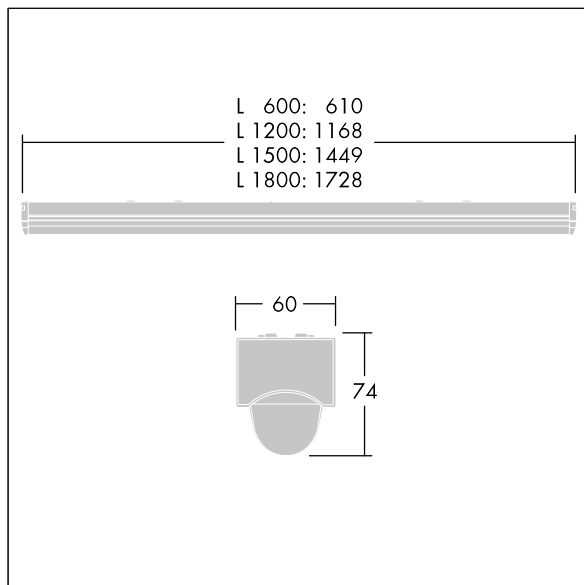
PopPack

Batten LED luminaire. Electronic, DALI dimmable control gear with 3 hour, manual test, emergency lighting circuit. Body: coated, formed steel, (RAL9016). End caps: injection moulded polycarbonate, white. Diffuser: textured opal acrylic. Electrical connection via (3 + 3) x 2 x 2.5mm² terminal block. Complete with 4000K LED

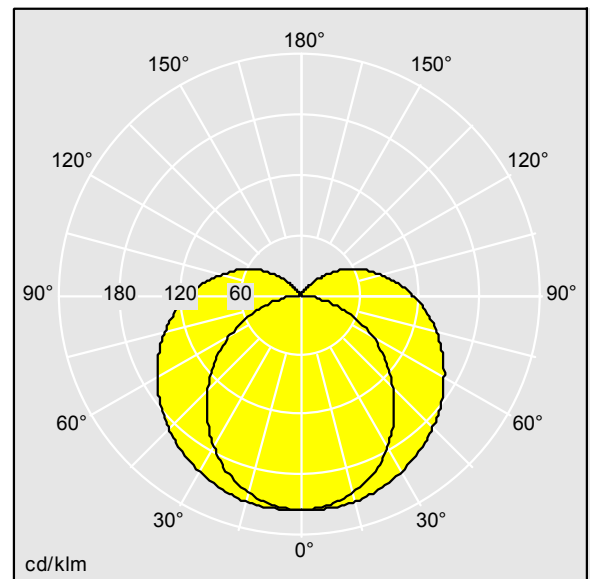
Dimensions: 1168 x 60 x 74 mm
Luminaire input power: 23.9 W
Luminaire luminous flux: 3350 lm
Luminaire efficacy: 140 lm/W
Weight: 2 kg



TLG_POPL_F_PDB_EMPTY.jpg



TLG_POPL_M_LD1.wmf



TLG_SP_0043746.ltd

Lamp position: STD - standard
Light Source: LED
Luminaire luminous flux*: 3350 lm
Total emergency luminous flux: 525 lm
Luminaire efficacy*: 140 lm/W
Colour Rendering Index min.: 80
Ballast 1: 1 x 28000655 LCA 50W 100-400mA one4all
Ip PRE
Ballast 2: 1 x 89800563 EM converterLED BASIC 204
NiCd/NiMH 250V
LOR: 1,00 ULOR: 0,17 DLOR: 0,83

Correlated colour temperature: 4000 Kelvin
Chromaticity tolerance (initial MacAdam): 3
Rated median useful life*:
L80 50000h at 25°C
Luminaire input power*: 23.9 W Power factor = 0.99
Standby Power*: 0.15 W
Charging power: 4 W
Dimming: DA2 dimmable to 1%
Maintenance category: D - Enclosed IP2X

All values marked with an * are rated values. Thorn uses tried and tested components from leading suppliers, however there may be isolated instances of technology-related failures of individual LEDs during the rated product lifetime. International standards set the tolerance in initial flux and connected load at ±10%. Unless stated otherwise, the values apply to an ambient temperature of 25°C.

Thorn Lighting is constantly developing and improving its products. The right is reserved to change specifications without prior notification or public announcement.
© Thorn Lighting