

# Aquaforce Pro

# THORN

96631028 AQFPRO L LED6400-840 PC MB HF E3



## Aquaforce Pro

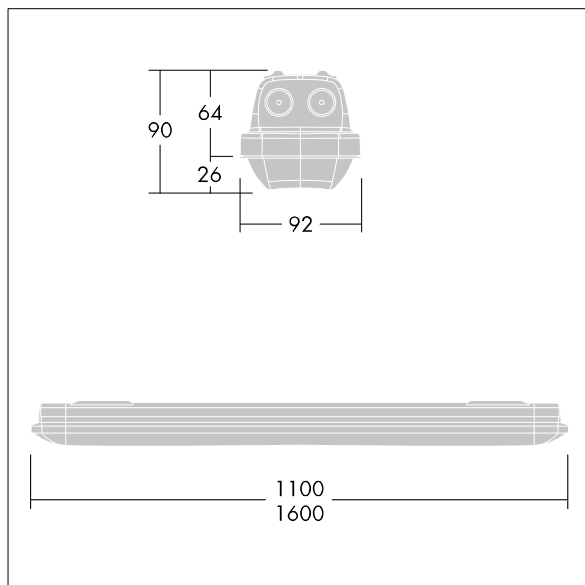
An IP66, dust and moisture resistant LED luminaire. Electronic, fixed output control gear with 3 hour, manual test, emergency lighting circuit. With medium beam distribution. Class I electrical. Canopy: light grey polycarbonate. Diffuser: high transmission opal polycarbonate with refraction prisms. Patented snap-on mechanism EasyClick for clipless mounting of diffuser. For surface or suspended mounting. Quick-fix brackets supplied for surface mounting. Suitable for ceiling or wall (both vertically and horizontally). Mounting kits for conduit, chain suspension and catenary suspension are available as accessories. ambient temperature: 0°C to +25°C. Complete with 4000K LED..

Note: please contact your consultant if you are planning to use the luminaire in environments with chemical pollutants, high or condensing humidity and major variations in temperature.

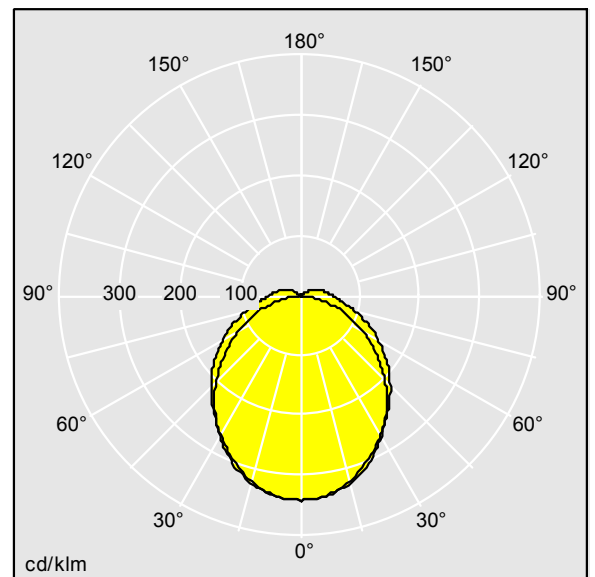
Dimensions: 1600 x 92 x 90 mm  
Luminaire input power: 51.4 W  
Luminaire luminous flux: 6400 lm  
Luminaire efficacy: 125 lm/W  
Weight: 2.5 kg



TLG\_AQUP\_F\_PDB\_1600MED.jpg



TLG\_AQUP\_M\_LD1.wmf



D39801AA\_AQFPRO\_L\_LED6400-840\_PC\_MB\_HF.ltd

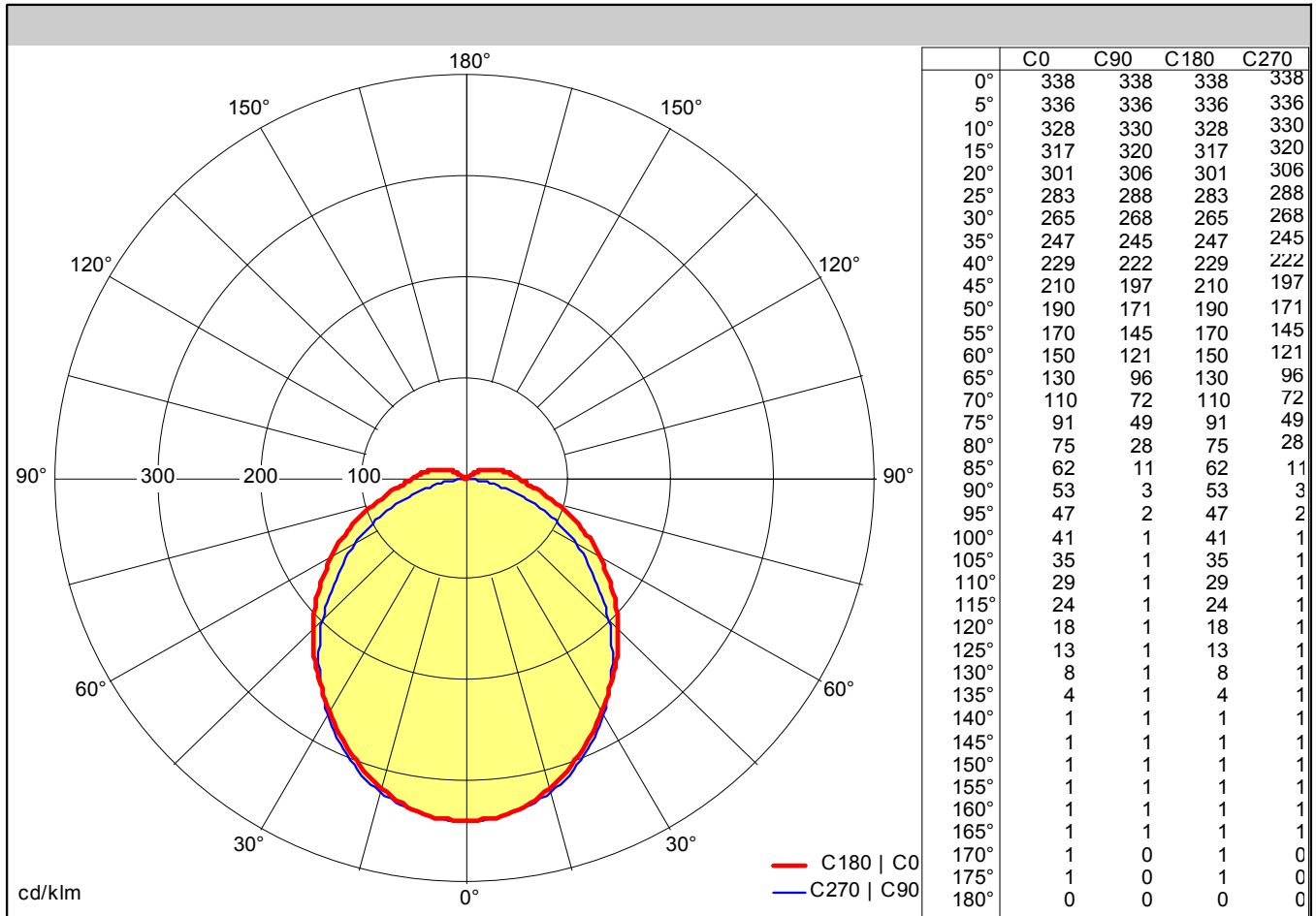
Lamp position: STD - standard  
Light Source: LED  
Luminaire luminous flux\*: 6400 lm  
Total emergency luminous flux: 500 lm  
Luminaire efficacy\*: 125 lm/W  
Lamp efficacy: 124 lm/W  
Colour Rendering Index min.: 80  
LOR: 1,00 ULOR: 0,07 DLOR: 0,93

Correlated colour temperature\*: 4000 Kelvin  
Chromaticity tolerance (initial MacAdam)\*: 3  
Rated median useful life\*:  
50000h L80 at 25°C  
Ballast: 1x HF\_LC  
Luminaire input power\*: 51.4 W Power factor = 0.96  
Charging power: 3.7 W  
Dimming: FO

All values marked with an \* are rated values. Thorn uses tried and tested components from leading suppliers, however there may be isolated instances of technology-related failures of individual LEDs during the rated product lifetime. International standards set the tolerance in initial flux and connected load at  $\pm 10\%$ . Colour temperature is subject to a tolerance of up to  $\pm 150$  Kelvin from the nominal value. Unless stated otherwise, the values apply to an ambient temperature of 25°C.

In most products the failure of one LED point causes no functional impairment to the lighting performance of the luminaire and is therefore no reason for complaint. Unless otherwise stated all Thorn LED products are suitable for unrestricted use (rated RG0 or RG1) with regard photobiological blue light safety (IEC/EN60598-1).

Thorn Lighting is constantly developing and improving its products. The right is reserved to change specifications without prior notification or public announcement.  
© Thorn Lighting



Light output ratio	
LOR	100 %
ULOR	7 %
DLOR	93 %
FFR	0.08 (7:93)
BLF	1.00

Glare Evaluation	
X = 4 H, Y = 8 H	S = 1.00 H
Reflection factors	70/50/20
UGR transversal	<25
UGR axial	<25

Classification	
LiTG	A41
EN	
BZ	BZ4/1/BZ5
UTE	0.93 E + 0.07 T
CIE Flux Codes	46 75 92 93 100

Utilization Factors									
Room Reflectance Ceiling/Walls/Floor	Room Index								
	0.75	1.00	1.25	1.50	2.00	2.50	3.00	4.00	5.00
70 / 50 / 20	58	65	72	77	84	89	92	97	100
70 / 30 / 20	50	58	65	70	78	83	87	92	96
70 / 10 / 20	45	52	59	65	73	78	83	88	93
50 / 50 / 20	55	63	69	74	80	84	88	92	94
50 / 30 / 20	49	56	63	68	75	80	83	88	91
50 / 10 / 20	44	51	58	63	70	76	79	85	88
30 / 50 / 20	53	60	66	70	76	80	83	87	89
30 / 30 / 20	47	54	61	65	72	76	80	84	87
30 / 10 / 20	43	50	57	61	68	73	77	81	84
0 / 0 / 0	40	47	53	57	64	68	71	76	78

According to CIBSE Technical Memorandum No. 5 1980

SHR Nom =	1.50
SHR Max =	1.51
SHR Max TR =	1.69

Photometric data file: D39801AA\_AQFPRO\_L\_LED6400-840\_PC\_MB\_HF.Idt