

# Cetus LED

# THORN

## 96242099 CETUS LED 1000 HF E3 840

LED 13W LED_1050	EN 60598				IK09		CE	850°C
------------------	----------	--	--	--	------	--	----	-------

### Cetus LED

A value performance, low height, ceiling recessed LED downlight. Electronic, fixed output control gear with 3 hour, manual test, LED emergency lighting circuit. Body and reflector: Aluminium, powder coated white (RAL 9016). Diffuser: Polycarbonate (PC). Class I electrical, IP44, IK09. Spring clips suitable for ceiling thicknesses from 1 to 35mm. Cut-out Ø190mm. Complete with 4000K LED.

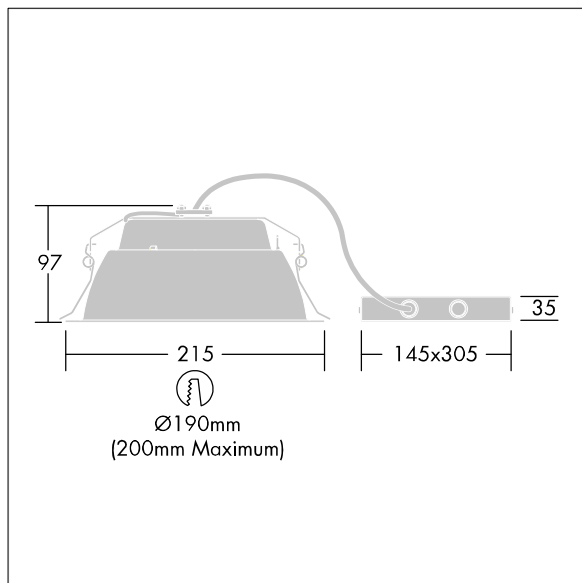
Dimensions: Ø215 x 85 mm

Total power: 12.8 W

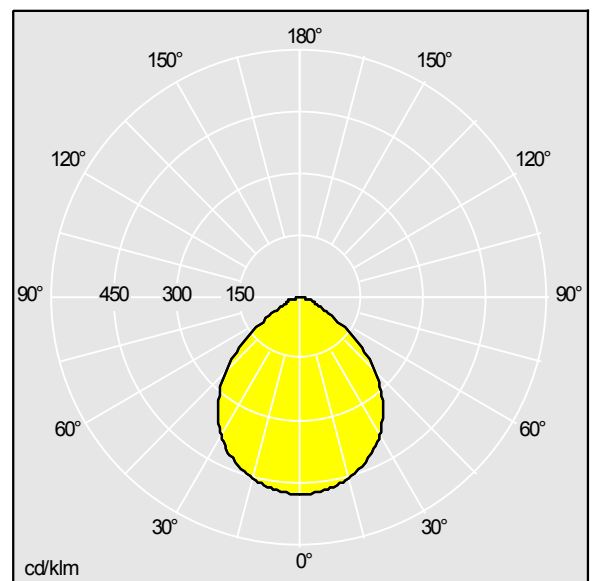
Weight: 1.75 kg



TLG\_CTUL\_F\_LED.jpg



TLG\_CETU\_M\_E3.wmf



TLG\_SP\_0041866.ltd

Lamp position: STD - standard

Light Source: LED

Total luminous flux\*: 1050 lm

Total emergency luminous flux: 350 lm

Luminaire efficacy\*: 82 lm/W

Lamp efficacy: 82 lm/W

Colour Rendering Index min.: 80

Rated median useful life\*: 50000h L70 at 25°C

Ballast: 1x HF\_ Tridonic LCI

Luminaire input power\*: 12.8 W Lambda = 0.95

Charging power: 3.7 W

Dimming: Fixed output

Maintenance category: C

LOR: 1,00 ULOR: 0,00 DLOR: 1,00

All values marked with an \* are rated values. Thorn uses tried and tested components from leading suppliers, however there may be isolated instances of technology-related failures of individual LEDs during the rated product lifetime. International standards set the tolerance in initial flux and connected load at  $\pm 10\%$ . Colour temperature is subject to a tolerance of up to  $\pm 150$  Kelvin from the nominal value. Unless stated otherwise, the values apply to an ambient temperature of 25°C.

In most products the failure of one LED point causes no functional impairment to the lighting performance of the luminaire and is therefore no reason for complaint.

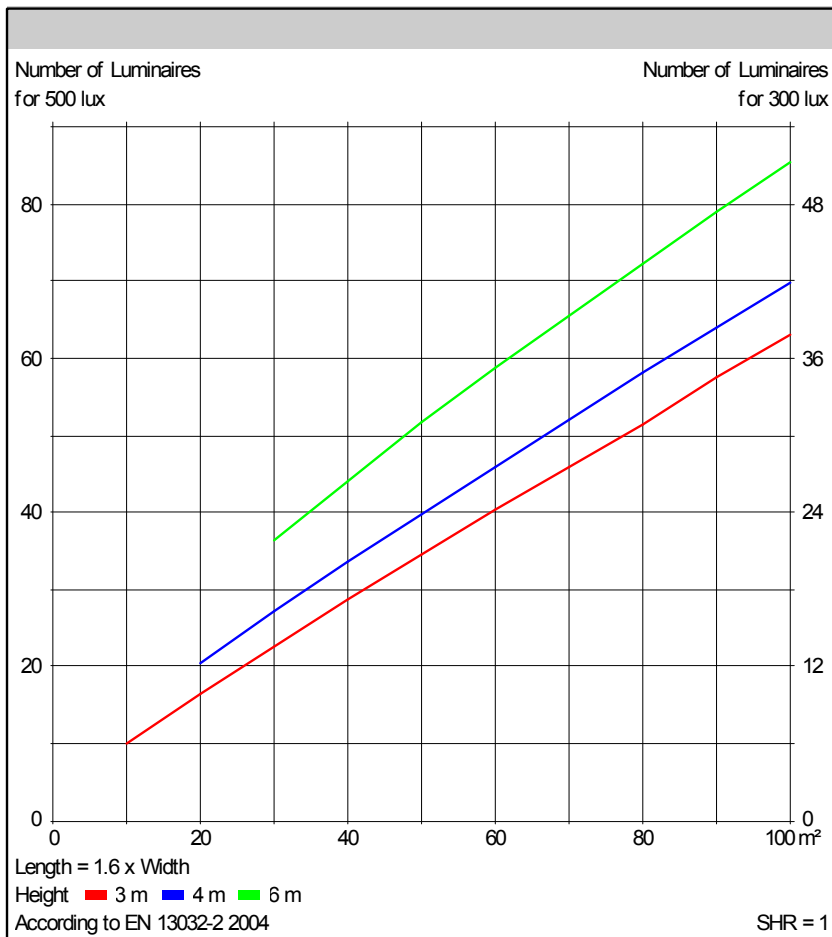
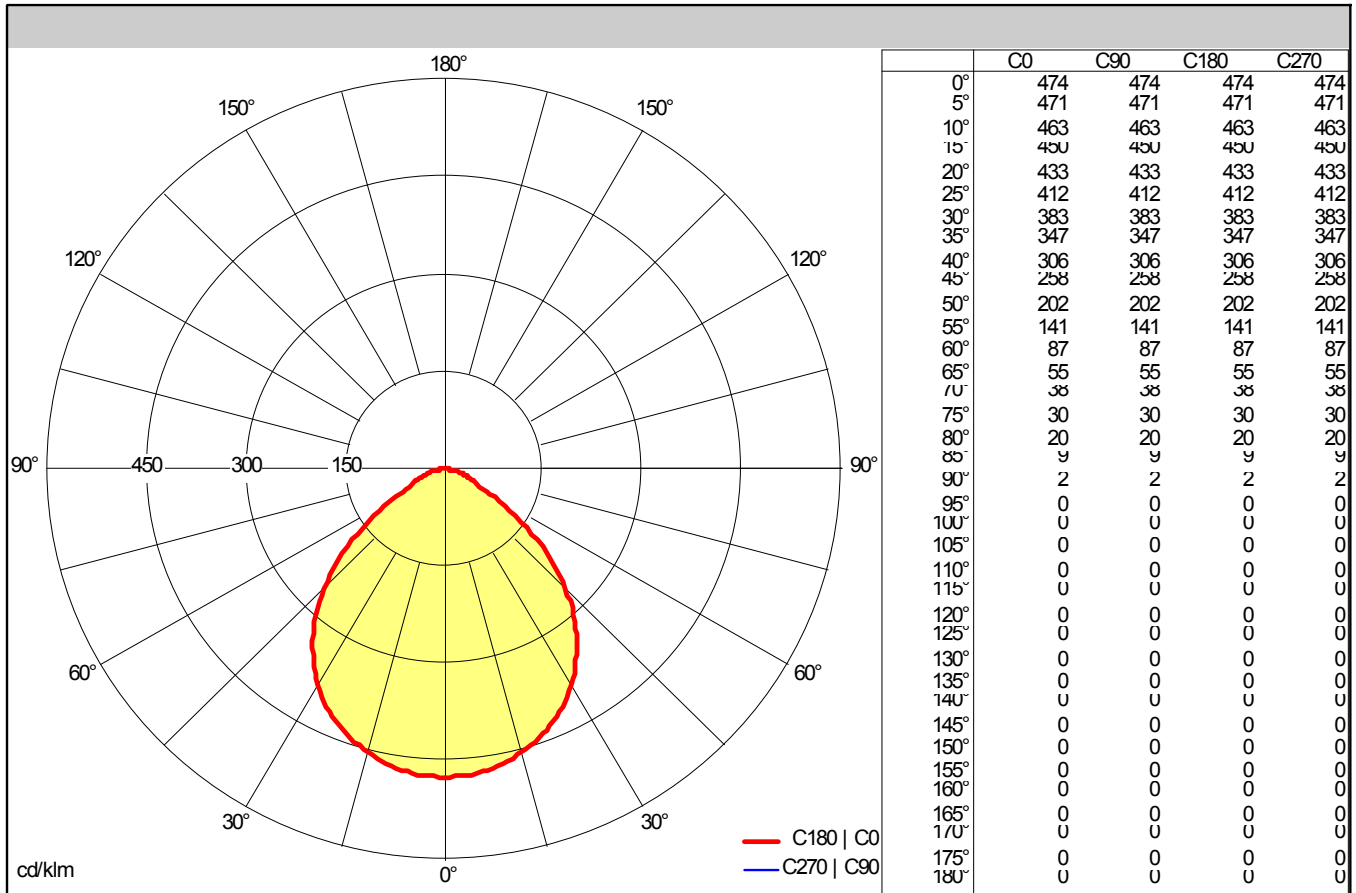
Thorn Lighting is constantly developing and improving its products. The right is reserved to change specifications without prior notification or public announcement.

© Thorn Lighting

# Cetus LED



## 96242099 CETUS LED 1000 HF E3 840



Light output ratio	
LOR	100 %
ULOR	0 %
DLOR	100 %
FFR	0.00 (0:100)
BLF	1.00

Glare Evaluation	
X = 4 H, Y = 8 H	S = 0.25 H
Reflection factors	70/50/20
UGR transversal	<22
UGR axial	<22

Classification	
LITG	A50
EN	
BZ	BZ2
UTE	1.00 C
CIE Flux Codes	60 89 98 100 100

Photometric data file: TLG\_SP\_0041866.ltd