

Cetus LED

THORN

96242098 CETUS LED 2000 HF 840

| | | | | | | | | | | |
|--------------------|----------|--|--|--|--|------|--|--|-------|--|
| LED 25W LED_2000_1 | EN 60598 | | | | | IK09 | | | 850°C | |
|--------------------|----------|--|--|--|--|------|--|--|-------|--|

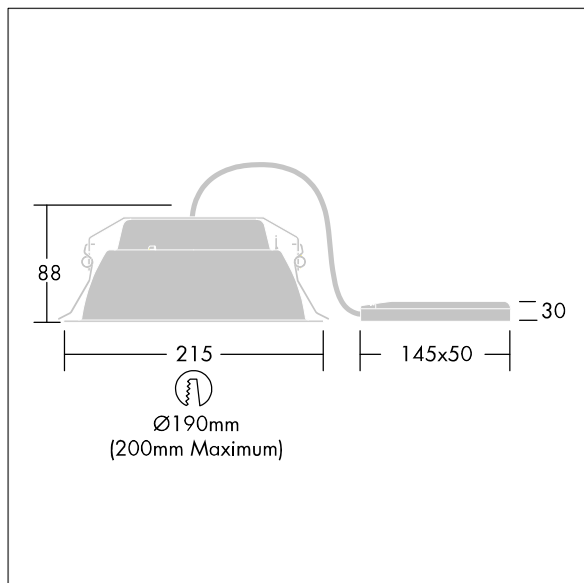
Cetus LED

A value performance, low height, ceiling recessed LED downlight. Electronic, fixed output control gear. Body and reflector: Aluminium, powder coated white (RAL 9016). Diffuser: Polycarbonate (PC). Class II electrical, IP44, IK09. Spring clips suitable for ceiling thicknesses from 1 to 35mm. Cut-out Ø190mm. Complete with 4000K LED.

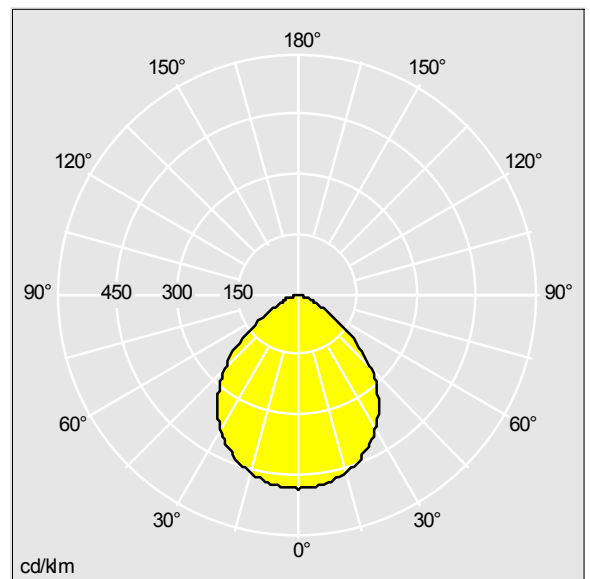
Dimensions: Ø215 x 85 mm
Total power: 24.6 W
Weight: 0.7 kg



TLG_CTUL_F_LED.jpg



TLG_CETU_M_2000LM.wmf



TLG_SP_0041864.idt

Lamp position: STD - standard
Light Source: LED
Total luminous flux*: 2000 lm
Luminaire efficacy*: 81 lm/W
Lamp efficacy: 81 lm/W
Colour Rendering Index min.: 80

Rated median useful life*: 50000h L70 at 25°C
Ballast: 1x HF_ Tridonic LCBI
Luminaire input power*: 24.6 W Lambda = 0.99
Dimming: Fixed output
Maintenance category: C
LOR: 1,00 ULOR: 0,00 DLOR: 1,00

All values marked with an * are rated values. Thorn uses tried and tested components from leading suppliers, however there may be isolated instances of technology-related failures of individual LEDs during the rated product lifetime. International standards set the tolerance in initial flux and connected load at $\pm 10\%$. Colour temperature is subject to a tolerance of up to ± 150 Kelvin from the nominal value. Unless stated otherwise, the values apply to an ambient temperature of 25°C.

In most products the failure of one LED point causes no functional impairment to the lighting performance of the luminaire and is therefore no reason for complaint.

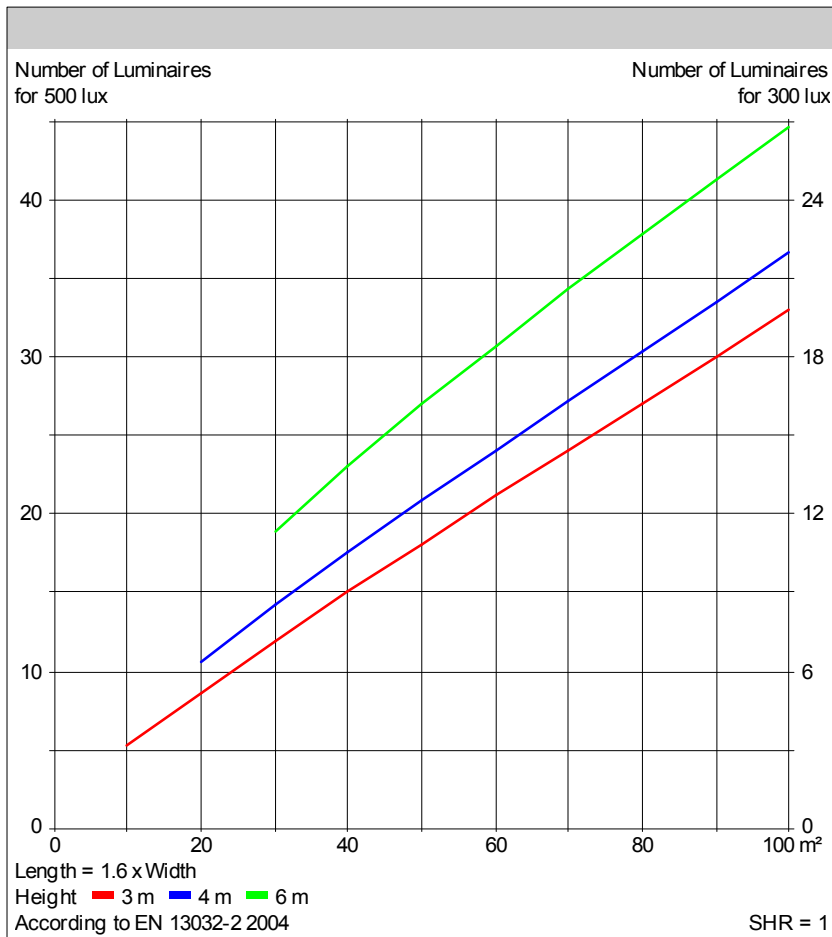
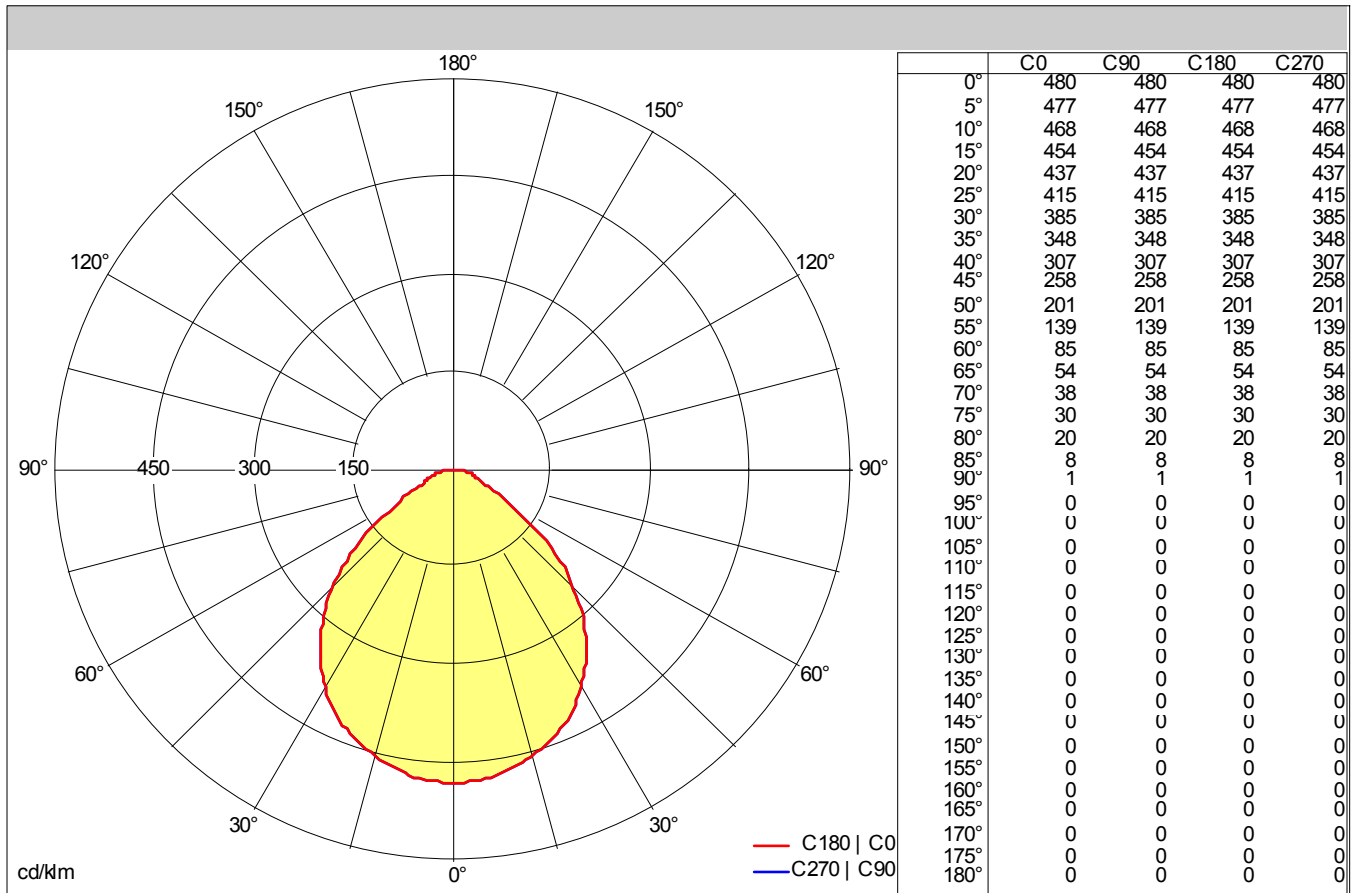
Thorn Lighting is constantly developing and improving its products. The right is reserved to change specifications without prior notification or public announcement.

© Thorn Lighting

Cetus LED

96242098 CETUS LED 2000 HF 840

THORN



| Light output ratio | |
|--------------------|--------------|
| LOR | 100 % |
| ULOR | 0 % |
| DLOR | 100 % |
| FFR | 0.00 (0:100) |
| BLF | 1.00 |

| Glare Evaluation | |
|--------------------|------------|
| X = 4 H, Y = 8 H | S = 0.25 H |
| Reflection factors | 70/50/20 |
| UGR transversal | <25 |
| UGR axial | <25 |

| Classification | |
|----------------|------------------|
| LiTG | A50 |
| EN | |
| BZ | BZ2 |
| UTE | 1.00 C |
| CIE Flux Codes | 60 89 98 100 100 |

Photometric data file: TLG_SP_0041864.ltd