

Cetus LED

THORN

96242097 CETUS LED 2000 HF 830

LED 25W LED_1950	EN 60598					IK09			850 °C
------------------	----------	--	--	--	--	------	--	--	--------

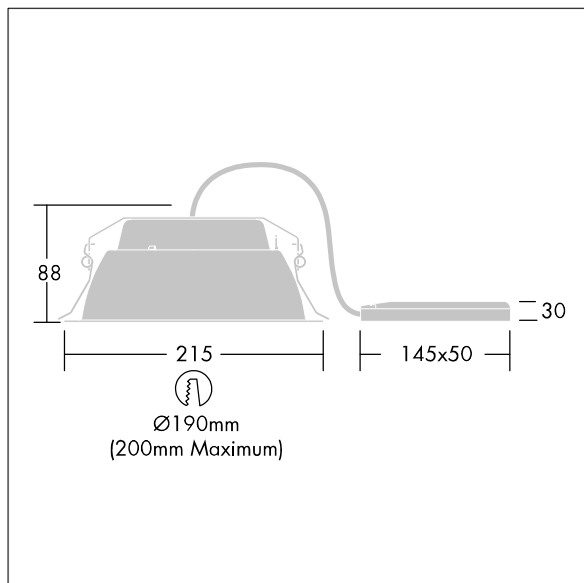
Cetus LED

A value performance, low height, ceiling recessed LED downlight. Electronic, fixed output control gear. Body and reflector: Aluminium, powder coated white (RAL 9016). Diffuser: Polycarbonate (PC). Class II electrical, IP44, IK09. Spring clips suitable for ceiling thicknesses from 1 to 35mm. Cut-out Ø190mm. Complete with 3000K LED.

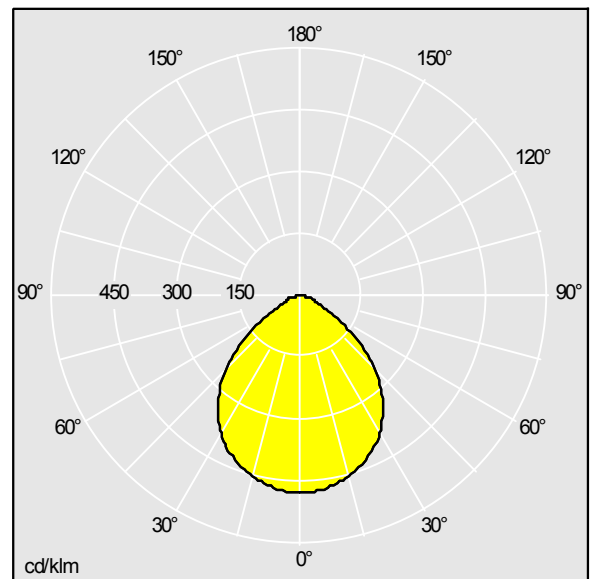
Dimensions: Ø215 x 85 mm
Total power: 24.6 W
Weight: 0.7 kg



TLG_CTUL_F_LED.jpg



TLG_CETU_M_2000LM.wmf



TLG_SP_0041863.ltd

Lamp position: STD - standard
Light Source: LED
Total luminous flux*: 1950 lm
Luminaire efficacy*: 79 lm/W
Lamp efficacy: 79 lm/W
Colour Rendering Index min.: 80

Rated median useful life*: 50000h L70 at 25°C
Ballast: 1x HF_ Tridonic LCBI
Luminaire input power*: 24.6 W Lambda = 0.99
Dimming: Fixed output
Maintenance category: C
LOR: 1,00 ULOR: 0,00 DLOR: 1,00

All values marked with an * are rated values. Thorn uses tried and tested components from leading suppliers, however there may be isolated instances of technology-related failures of individual LEDs during the rated product lifetime. International standards set the tolerance in initial flux and connected load at $\pm 10\%$. Colour temperature is subject to a tolerance of up to ± 150 Kelvin from the nominal value. Unless stated otherwise, the values apply to an ambient temperature of 25°C.

In most products the failure of one LED point causes no functional impairment to the lighting performance of the luminaire and is therefore no reason for complaint.

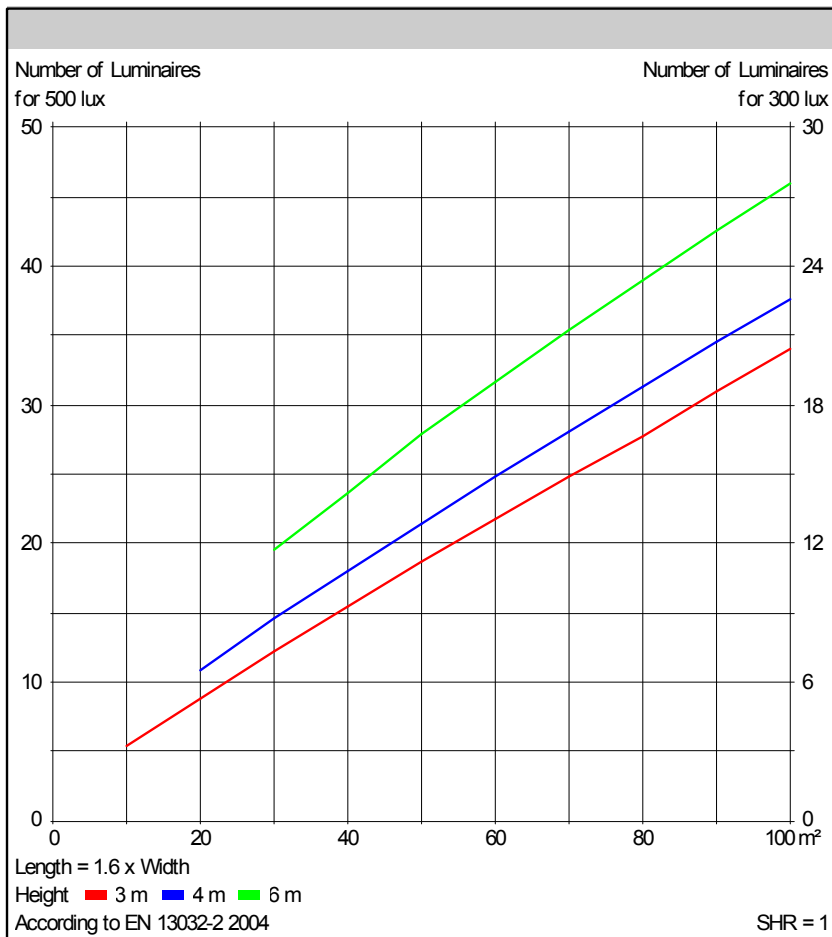
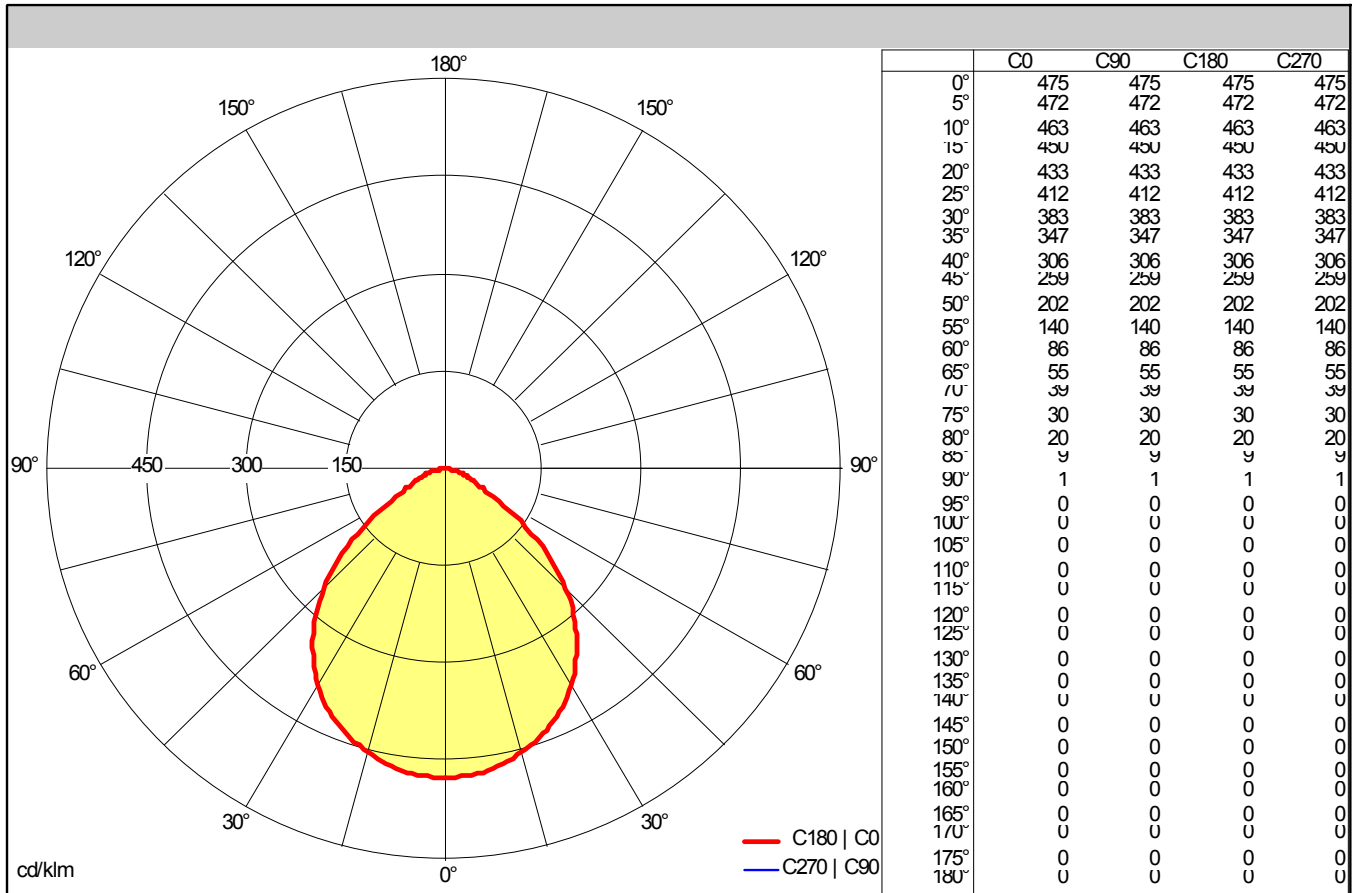
Thorn Lighting is constantly developing and improving its products. The right is reserved to change specifications without prior notification or public announcement.

© Thorn Lighting

Cetus LED

96242097 CETUS LED 2000 HF 830

THORN



Light output ratio	
LOR	100 %
ULOR	0 %
DLOR	100 %
FFR	0.00 (0:100)
BLF	1.00

Glare Evaluation	
X = 4 H, Y = 8 H	S = 0.25 H
Reflection factors	70/50/20
UGR transversal	<25
UGR axial	<25

Classification	
LITG	A50
EN	
BZ	BZ2
UTE	1.00 C
CIE Flux Codes	60 89 98 100 100

Photometric data file: TLG_SP_0041863.ltd