

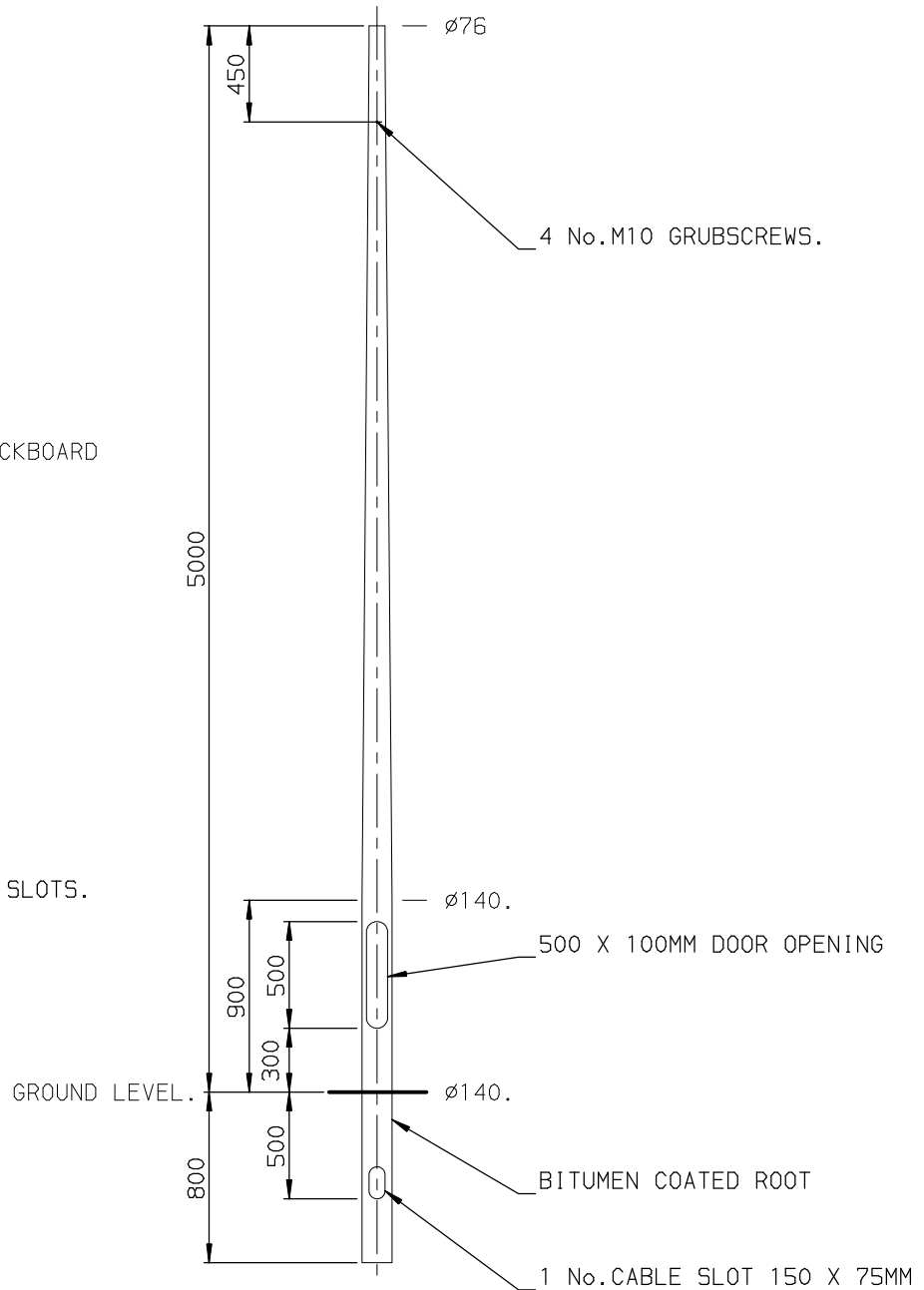
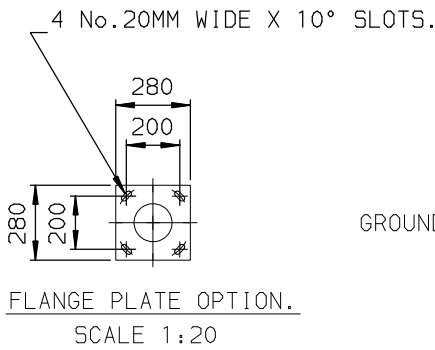
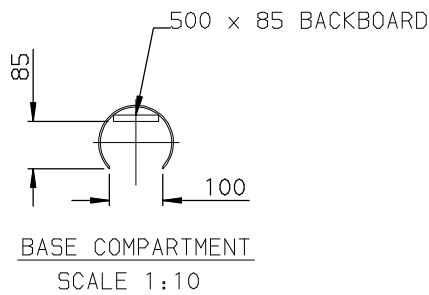
NOTES:

ALL DIMENSIONS IN MILLIMETRES.


ALL HFCHS TO BS EN 10219-2 / BS EN 10219-1:GRADE S235

FINISH: H.D.G. TO BS EN ISO 1461.

PART No: ROOTED - T2505075
 FLANGED - C2505075



© NO PART OF THIS DRAWING MAY BE REPRODUCED WITHOUT PERMISSION OF CU LTD.

ISS.	REVISION	DATE	SIGN.	TITLE:				
				GENERAL ARRANGEMENT OF TAPERED TUBULAR COLUMN 5.0M POST TOP				
				DRAWN	CHECKED	DATE	SCALE	DRAWING No.
				R. G	S. B	02/09/10	1:25	S-TT2505075-01