

60W LED PANEL LIGHT

HIGH POWERED 595x1195 mm | IP40 Rating

SKU: PAN-6X12-60W-TPB-5000K
SKU: PAN-6X12-60W-TPB-4000K

INFORMATION

Measuring 595mm x 1195mm, this IP40 rated LUMiLiFE 60W panel light typically replaces 4 x 1200mm T8/T5 fluorescent tubes lights set in 600x1200 grids. Which is why they're the popular lighting choice for hotels, factories, offices, schools, colleges, hospitals and the like. Energy use will be reduced by up to 50% and you'll notice a dramatic improvement in light quality.

While fluorescent tubes tend to flicker towards the end of their life, panel lights maintain their brightness and quality for a much longer period and these LUMiLiFE 60w units come with a non-flicker LED driver for improved uniformed light distribution with no interference.

They also last far longer. This 60W panel will give you 40,000 hours of service, which is up to 20 times longer than your older light source.



FEATURES

- Colour Option (CCT): 4000K, 5000K
- Lumens: 6000 + / - 5%
- Beam angle: 120 Degree
- Life span: 40,000Hrs
- IP Rating: IP40
- CE & RoHS Certified
- Slim Profile Edge Lit Design
- High Lumen Efficiency
- Uniform Light Distribution
- TP(b) LIA Certified Test Report
- LiFud Non-Flicker TUV Cert Driver

TECHNICAL PARAMETER

- Input: AC 220-240V 50/60Hz 1400ma
- Output Current: DC35-38V
- LED Type: 4014 SMD LED
- Output Power: 40W
- Light Guide Plate (LGP): PS
- Diffuser Material: PP

APPLICATIONS

- Hotels
- Conference/Meeting rooms
- Factories and offices
- Schools, colleges, universities and hospitals



LUMiLiFE is constantly developing and improving its products. For this reason, all product descriptions are intended as a general guide and we may change specifications time to time in the interest of product development, without prior notification or public announcement. Data in this sheet has been obtained in controlled experimental conditions. However, LUMiLiFE cannot accept any liability arising from the reliance on such data to the extent permitted by law.



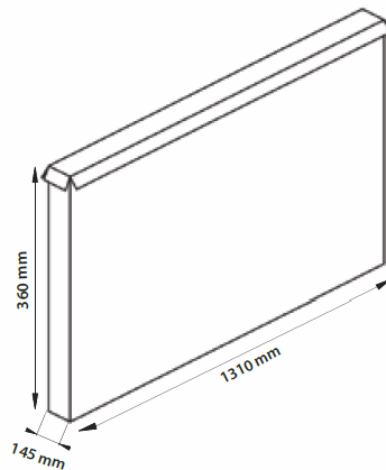
SPECIFICATIONS

Model #	CCT	LED Type	Lumen (Lm) (±5%)	CRI	Beam Angle	Voltage (V)	PF	Weight (Kg)
PAN-6X12-60W-TPB-5000K	5000K	4014	6000Lm	>80	120°	AC 220-240V	>0.9	7
PAN-6X12-60W-TPB-4000K	4000K	4014	6000Lm	>80	120°	AC 220-240V	>0.9	7

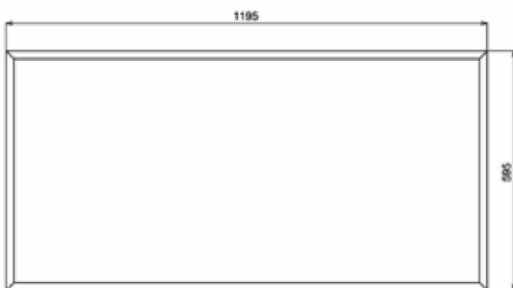
PRODUCT PACKAGING INFORMATION

- 1 pc per inner box
2. Inner Carton Weight: 9.8
3. Packing Size (LxWxH): 1310x145x690

All dimension units are in millimeters.



DIMENSIONS (MM)



All dimension tolerances are ±0.5mm unless otherwise stated.

INSTALLATION AND ACCESSORIES

- Surface Mounting Frame
- Hanging Kit for suspended installation
- DALI and TRIAC Dimmable driver options
- External 3hr Emergency Pack (UK Manufactured)